

| PROP. CLASS | | |
|--------------|-----|---|
| 5 | 1 | 0 |
| NEIGHBORHOOD | | |
| 002200-TS20 | | |
| M | 28B | |
| B | | |
| C | 90 | |

22-008600.0000

SOLIS FEDERICO

SOLIS FEDERICO
95 JEFFERSON ST
BURKETTSVILLE, OH 45310

LEGAL INFORMATION

GILBERT ADDITION

LOT#: 33

| | OWNERSHIP | ADDRESS | CITY | STATE | ZIP | DATE | AMOUNT | DEED:CONV# | JS | VALID |
|---|-----------------------|-----------------|---------------|-------|-------|------------|--------|-------------|--------------------------|-------------------------------------|
| 1 | SOLIS FEDERICO | 95 JEFFERSON ST | BURKETTSVILLE | OH | 45310 | 09/06/2016 | 77,000 | WDC : 614 | <input type="checkbox"/> | <input checked="" type="checkbox"/> |
| 2 | FLECKENSTEIN RONALD & | PO BOX 76 | BURKETTSVILLE | OH | 45310 | 11/09/2007 | 0 | QCE : 0 | <input type="checkbox"/> | <input type="checkbox"/> |
| 3 | FLECKENSTEIN GEORGE A | 95 JEFFERSON ST | BURKETTSVILLE | OH | 45310 | 11/09/2007 | 0 | QCE : X : 0 | <input type="checkbox"/> | <input type="checkbox"/> |

X: TTO LISTER: DF DATE: 05/03/2005 TIME: 12:00:00 AM LETTER LETTER REC'D GIS CODE

| STREET/ROAD | TOPOGRAPHY | PU-UTILITIES-PR | NEIGHBORHOOD | INFLUENCE FACTORS | PROPERTY LOCATION | | | |
|---|---|--|---|--|--|--|-------|---|
| <input checked="" type="checkbox"/> PAVED <input type="checkbox"/> GRAVEL <input type="checkbox"/> DIRT <input type="checkbox"/> SIDEWALKS <input type="checkbox"/> CURBS | <input checked="" type="checkbox"/> LEVEL <input type="checkbox"/> HIGH <input type="checkbox"/> LOW <input type="checkbox"/> ROLLING <input type="checkbox"/> STANDARD | <input type="checkbox"/> WATER <input type="checkbox"/> SEWER <input checked="" type="checkbox"/> GAS <input checked="" type="checkbox"/> ELECTRIC <input type="checkbox"/> STANDARD | <input type="checkbox"/> IMPROVING <input checked="" type="checkbox"/> STATIC <input type="checkbox"/> DECLINING <input type="checkbox"/> OLD <input type="checkbox"/> STANDARD | <input type="checkbox"/> A. NO ROAD <input type="checkbox"/> B. TOPGRHY <input type="checkbox"/> C. Ex Front <input type="checkbox"/> D. QUANTITY <input type="checkbox"/> E. SZ/SHAPE | <input type="checkbox"/> F. RESTRICT <input type="checkbox"/> G. WOOD LT <input type="checkbox"/> H. VACANCY <input type="checkbox"/> I. WATER FRONT <input type="checkbox"/> J. OTHER/CDU | 95 JEFFERSON ST, BURKETTSVILLE COMMENT TY2018:Net Gen=\$877.74, Other Assessment=\$1.04 DE18 ADD YR TO OFP FOR VALUE DE16 REVAL DESKTOP REVIEW/CORR SIZE OF SHED AND ADD OFP DE17 RMV OWN OCC/DIDN'T RET APP DE17 COR FL MISMATCH | | |
| LAND COMPUTATIONS | | | | | | | | |
| LAND TYPE | SIZE | M | RATE | C | INF | M | VALUE | C |
| F:Front | F60 D132 | ST140 | DP94 | ADJ132 | | | 7,900 | 0 |
| | | | | | TOTAL | | 7,900 | 0 |

| VALUATION SUMMARY | | | | | | | |
|-------------------|---------------------|--------|--------|--------|--------|--|--|
| VALUE YEAR | 2018 | 2017 | 2016 | 2014 | 2011 | | |
| REASON FOR CHANGE | NC | MISC | MISC | RAPP | RAPP | | |
| APPRAISED VALUE | <u>LAND</u> 7,900 | 7,900 | 7,400 | 7,400 | 7,900 | | |
| | <u>IMPR</u> 53,700 | 53,500 | 40,100 | 40,600 | 43,300 | | |
| | <u>TOTAL</u> 61,600 | 61,400 | 47,500 | 48,000 | 51,200 | | |
| ASSESSED VALUE | <u>LAND</u> 2,770 | 2,770 | 2,590 | 2,590 | 2,770 | | |
| | <u>IMPR</u> 18,800 | 18,730 | 14,040 | 14,210 | 15,160 | | |
| | <u>TOTAL</u> 21,570 | 21,500 | 16,630 | 16,800 | 17,930 | | |

| OCCUPANCY | EXTERIOR |
|---|--|
| <input checked="" type="checkbox"/> SNGL FMLY | <input checked="" type="checkbox"/> WOOD |
| <input type="checkbox"/> DUPLEX | <input type="checkbox"/> STUCCO |
| <input type="checkbox"/> TRIPLEX | <input checked="" type="checkbox"/> ALM/VYNL |
| <input type="checkbox"/> CONVR | <input type="checkbox"/> CONC BLK |
| <input type="checkbox"/> MOBILE HM | <input type="checkbox"/> METAL |
| <input type="checkbox"/> BI/L TRI/L | <input type="checkbox"/> BRICK |
| <input type="checkbox"/> MOD/MAN | <input type="checkbox"/> STONE |

| ROOFING | ROOF TYPE |
|--|---|
| <input type="checkbox"/> METAL | <input checked="" type="checkbox"/> GABLE |
| <input type="checkbox"/> SLT/TLE | <input type="checkbox"/> HIP |
| <input checked="" type="checkbox"/> SHINGLES | <input type="checkbox"/> GAMBREL |
| <input type="checkbox"/> SHAKES | <input type="checkbox"/> MANSARD |
| <input type="checkbox"/> COMPOSITE | <input checked="" type="checkbox"/> FLAT |

| FLOORS | B | 1 | 2 | 3 | U |
|------------|-------------------------------------|-------------------------------------|--------------------------|--------------------------|--------------------------|
| CONCRETE | <input checked="" type="checkbox"/> | <input type="checkbox"/> | <input type="checkbox"/> | <input type="checkbox"/> | <input type="checkbox"/> |
| WOOD | <input type="checkbox"/> | <input type="checkbox"/> | <input type="checkbox"/> | <input type="checkbox"/> | <input type="checkbox"/> |
| TILE/COMPO | <input type="checkbox"/> | <input type="checkbox"/> | <input type="checkbox"/> | <input type="checkbox"/> | <input type="checkbox"/> |
| CARPET | <input type="checkbox"/> | <input checked="" type="checkbox"/> | <input type="checkbox"/> | <input type="checkbox"/> | <input type="checkbox"/> |

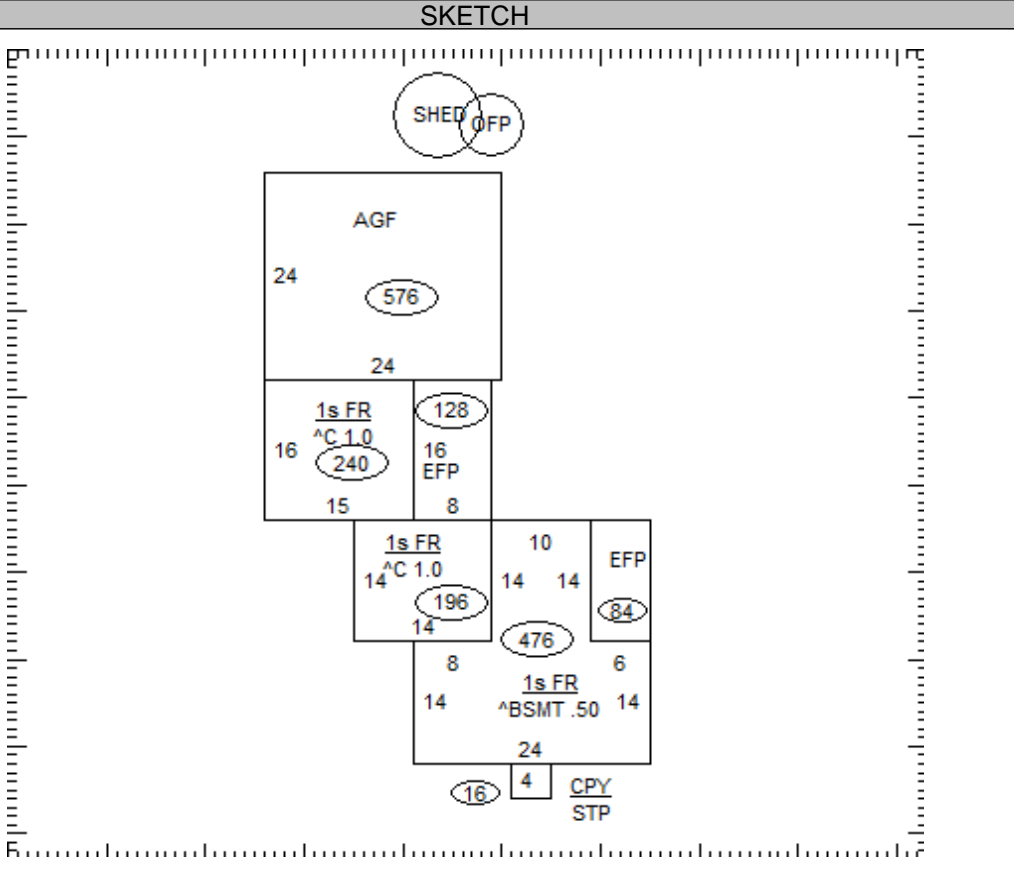
| INT. FINISH | B | 1 | 2 | 3 | U |
|-------------|-------------------------------------|-------------------------------------|--------------------------|--------------------------|--------------------------|
| PLASTER/DW | <input type="checkbox"/> | <input type="checkbox"/> | <input type="checkbox"/> | <input type="checkbox"/> | <input type="checkbox"/> |
| PANELING | <input type="checkbox"/> | <input checked="" type="checkbox"/> | <input type="checkbox"/> | <input type="checkbox"/> | <input type="checkbox"/> |
| UNFINISHED | <input checked="" type="checkbox"/> | <input type="checkbox"/> | <input type="checkbox"/> | <input type="checkbox"/> | <input type="checkbox"/> |

| ACCOMMODATIONS | | | | | |
|----------------|--|---|--|--|--|
| # OF ROOMS | | 6 | | | |
| BEDROOMS | | 2 | | | |
| FIREPLACES | | | | | |

| HEAT & AC | B | 1 | 2 | 3 | U |
|-------------|--------------------------|-------------------------------------|--------------------------|--------------------------|--------------------------|
| NO HEAT | <input type="checkbox"/> | <input type="checkbox"/> | <input type="checkbox"/> | <input type="checkbox"/> | <input type="checkbox"/> |
| CTRL HEAT | <input type="checkbox"/> | <input checked="" type="checkbox"/> | <input type="checkbox"/> | <input type="checkbox"/> | <input type="checkbox"/> |
| HW/STEAM | <input type="checkbox"/> | <input type="checkbox"/> | <input type="checkbox"/> | <input type="checkbox"/> | <input type="checkbox"/> |
| ELECTRIC | <input type="checkbox"/> | <input type="checkbox"/> | <input type="checkbox"/> | <input type="checkbox"/> | <input type="checkbox"/> |
| HEAT PUMP | <input type="checkbox"/> | <input type="checkbox"/> | <input type="checkbox"/> | <input type="checkbox"/> | <input type="checkbox"/> |
| FLR/WALL | <input type="checkbox"/> | <input type="checkbox"/> | <input type="checkbox"/> | <input type="checkbox"/> | <input type="checkbox"/> |
| STVE/SPCE | <input type="checkbox"/> | <input type="checkbox"/> | <input type="checkbox"/> | <input type="checkbox"/> | <input type="checkbox"/> |
| GEO THERMAL | <input type="checkbox"/> | <input type="checkbox"/> | <input type="checkbox"/> | <input type="checkbox"/> | <input type="checkbox"/> |
| OUTSIDE | <input type="checkbox"/> | <input type="checkbox"/> | <input type="checkbox"/> | <input type="checkbox"/> | <input type="checkbox"/> |
| CTRL A/C | <input type="checkbox"/> | <input checked="" type="checkbox"/> | <input type="checkbox"/> | <input type="checkbox"/> | <input type="checkbox"/> |

| PLUMBING | BASE |
|-------------|--------------------------|
| X FULL BATH | <input type="checkbox"/> |
| X HALF BATH | <input type="checkbox"/> |
| X FIXTURES | <input type="checkbox"/> |

| FLOOR | AREA | CONST | VALUE |
|-------------------------|----------|-------|----------------|
| 1 | 912 | FR | 88,140 |
| BSMT | 238 | | 3,090 |
| SUBTOTAL | | | 91,230 |
| MULTI-FAMILY # | 0 | | 0 |
| BSMT FINISH | 0 S.F. | | 0 |
| FIREPLACE # | 0 | | 0 |
| HEATING | 0 S.F. | | 0 |
| AIR COND | 912 S.F. | | 1,370 |
| PLUMBING # | 0 | | 0 |
| GARAGES & CARPORTS | | | 9,500 |
| EXTRA FEATURES | | | 5,800 |
| SUBTOTAL | | | 107,900 |
| GRADE FACTOR | | | 95 % |
| UNADJUSTED VALUE | | | 102,510 |
| FACTOR | | | 100 % |



| OCCUPANCY | ST.HT | SIZE | AREA | GRADE | PRICE | AGE | REMD | CND | UNADJ VAL | PHYS | PHYS VAL | FUNC | TRUE VAL |
|-----------|-------|-------|------|-------|-------|------|------|-----|-----------|------|----------|------|----------|
| DWELLING | 1 | SK | 912 | C- | | 1948 | | A | 102,510 | 42 | 59,460 | | 53,500 |
| 1 Shed | 8 | 10x10 | 100 | C | | 1975 | | A | | 77 | | | 0 |
| 2 OFP | | 10x6 | 60 | C | 14.58 | 1975 | | A | 870 | 77 | 200 | | 200 |
| 3 | | | | | | | | | | | | | |
| 4 | | | | | | | | | | | | | |
| 5 | | | | | | | | | | | | | |
| 6 | | | | | | | | | | | | | |
| 7 | | | | | | | | | | | | | |
| 8 | | | | | | | | | | | | | |
| 9 | | | | | | | | | | | | | |
| 10 | | | | | | | | | | | | | |
| 11 | | | | | | | | | | | | | |

22-008600.0000

TOTAL 53,700

COMMENTS
 Dwelling has an Economic Factor of 90%

| | | |
|--------------|-----|---|
| 2 OF 2 | | |
| PROP. CLASS | | |
| 5 | 1 | 0 |
| NEIGHBORHOOD | | |
| 002200-TS20 | | |
| M | 28B | |
| B | | |
| C | 90 | |

GRANVILLE TWP-BURKETTSVILLE CORP / ST HENRY SD
14-34-451-009

22-008600.0000

LEGAL INFORMATION
GILBERT ADDITION

LOT#: 33

SOLIS FEDERICO
SOLIS FEDERICO
95 JEFFERSON ST
BURKETTSVILLE, OH 45310

| | OWNERSHIP | ADDRESS | CITY | STATE | ZIP | DATE | AMOUNT | DEED:CONV# | JS | VALID |
|---|------------------------|---------------------------|---------------|-------|-------|------|--------|------------|--------------------------|--------------------------|
| 1 | FLECKENSTEIN MARY JANE | 95 JEFFERSON ST PO BOX 76 | BURKETTSVILLE | OH | 45310 | | 0 | :0 | <input type="checkbox"/> | <input type="checkbox"/> |
| 2 | | | | | | | 0 | 0 | <input type="checkbox"/> | <input type="checkbox"/> |
| 3 | | | | | | | 0 | 0 | <input type="checkbox"/> | <input type="checkbox"/> |

X: TTO LISTER: DF DATE: 05/03/2005 TIME: 12:00:00 AM LETTER LETTER REC'D GIS CODE

| STREET/ROAD | TOPOGRAPHY | PU-UTILITIES-PR | NEIGHBORHOOD | INFLUENCE FACTORS | | | | PROPERTY LOCATION |
|---|---|--|---|--|--|--------------------------------|--|-------------------|
| <input checked="" type="checkbox"/> PAVED <input type="checkbox"/> GRAVEL <input type="checkbox"/> DIRT <input type="checkbox"/> SIDEWALKS <input type="checkbox"/> CURBS | <input checked="" type="checkbox"/> LEVEL <input type="checkbox"/> HIGH <input type="checkbox"/> LOW <input type="checkbox"/> ROLLING <input type="checkbox"/> STANDARD | <input type="checkbox"/> WATER <input type="checkbox"/> SEWER <input checked="" type="checkbox"/> GAS <input checked="" type="checkbox"/> ELECTRIC <input type="checkbox"/> STANDARD | <input type="checkbox"/> IMPROVING <input checked="" type="checkbox"/> STATIC <input type="checkbox"/> DECLINING <input type="checkbox"/> OLD <input type="checkbox"/> STANDARD | <input type="checkbox"/> A. NO ROAD <input type="checkbox"/> B. TOPGRHY <input type="checkbox"/> C. Ex Front <input type="checkbox"/> D. QUANTITY <input type="checkbox"/> E. SZ/SHAPE | <input type="checkbox"/> F. RESTRICT <input type="checkbox"/> G. WOOD LT <input type="checkbox"/> H. VACANCY <input type="checkbox"/> I. WATER FRONT <input type="checkbox"/> J. OTHER/CDU | 95 JEFFERSON ST, BURKETTSVILLE | | |
| COMMENT | | | | | | | | |

| LAND COMPUTATIONS | | | | | | | |
|-------------------|------|---|------|---|-----|-------|---------|
| LAND TYPE | SIZE | M | RATE | C | INF | M | VALUE C |
| | | | | | | | |
| | | | | | | | |
| | | | | | | | |
| | | | | | | | |
| | | | | | | | |
| | | | | | | | |
| | | | | | | | |
| | | | | | | | |
| | | | | | | | |
| TOTAL | | | | | | 7,900 | 0 |

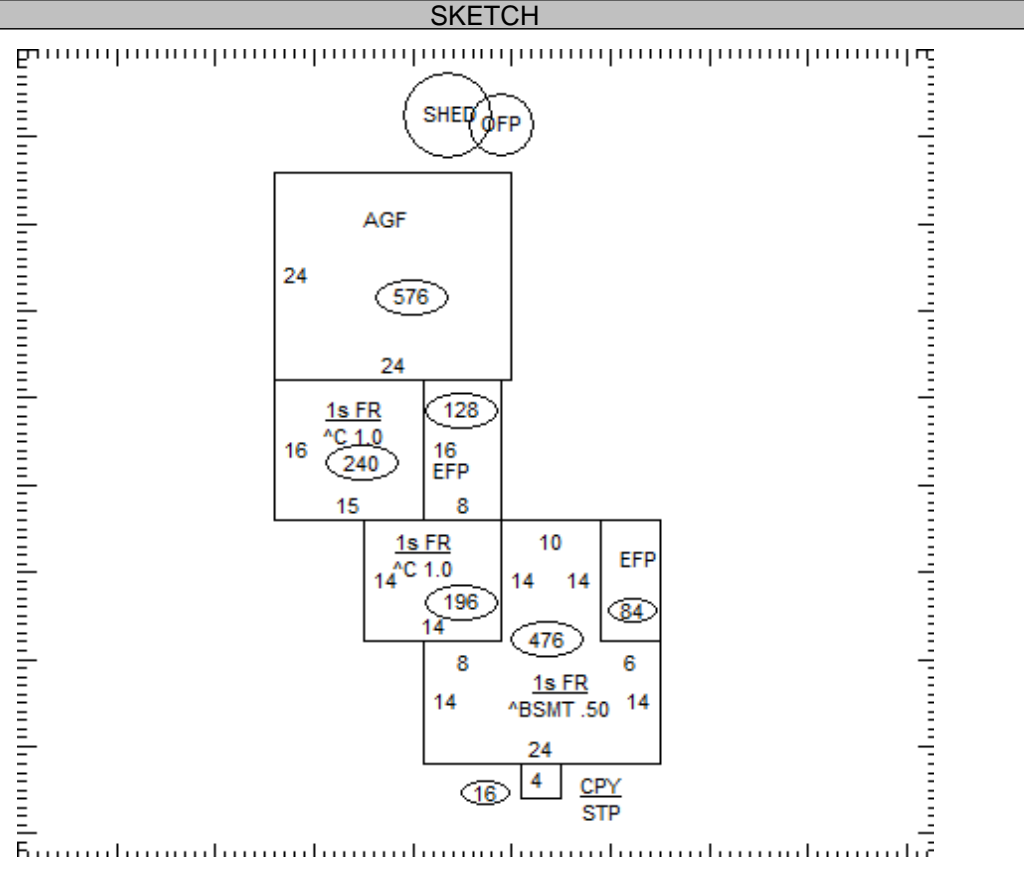
VALUATION SUMMARY

| VALUE YEAR | REASON FOR CHANGE | APPRaised | IMPR | TOTAL | ASSESSED | IMPR | TOTAL |
|------------|-------------------|-----------|------|-------|----------|------|-------|
| | | | | | | | |
| | | | | | | | |
| | | | | | | | |
| | | | | | | | |
| | | | | | | | |

| OCCUPANCY | EXTERIOR | FLOOR | AREA | CONST | VALUE |
|-------------------------------------|-----------------------------------|-------|------|-------|-------|
| <input type="checkbox"/> SNGL FMLY | <input type="checkbox"/> WOOD | | | | |
| <input type="checkbox"/> DUPLEX | <input type="checkbox"/> STUCCO | | | | |
| <input type="checkbox"/> TRIPLEX | <input type="checkbox"/> ALM/VYNL | | | | |
| <input type="checkbox"/> CONVR | <input type="checkbox"/> CONC BLK | | | | |
| <input type="checkbox"/> MOBILE HM | <input type="checkbox"/> METAL | | | | |
| <input type="checkbox"/> BI/L TRI/L | <input type="checkbox"/> BRICK | | | | |
| <input type="checkbox"/> MOD/MAN | <input type="checkbox"/> STONE | | | | |

| ROOFING | ROOF TYPE |
|------------------------------------|----------------------------------|
| <input type="checkbox"/> METAL | <input type="checkbox"/> GABLE |
| <input type="checkbox"/> SLT/TLE | <input type="checkbox"/> HIP |
| <input type="checkbox"/> SHINGLES | <input type="checkbox"/> GAMBREL |
| <input type="checkbox"/> SHAKES | <input type="checkbox"/> MANSARD |
| <input type="checkbox"/> COMPOSITE | <input type="checkbox"/> FLAT |

| | | | | | |
|-------------------------------|--------------------------|--------------------------|--------------------------|--------------------------|--------------------------|
| SUBTOTAL | | | | | 0 |
| FLOORS | B | 1 | 2 | 3 | U |
| CONCRETE | <input type="checkbox"/> | <input type="checkbox"/> | <input type="checkbox"/> | <input type="checkbox"/> | <input type="checkbox"/> |
| WOOD | <input type="checkbox"/> | <input type="checkbox"/> | <input type="checkbox"/> | <input type="checkbox"/> | <input type="checkbox"/> |
| TILE/COMPO | <input type="checkbox"/> | <input type="checkbox"/> | <input type="checkbox"/> | <input type="checkbox"/> | <input type="checkbox"/> |
| CARPET | <input type="checkbox"/> | <input type="checkbox"/> | <input type="checkbox"/> | <input type="checkbox"/> | <input type="checkbox"/> |
| INT. FINISH | B | 1 | 2 | 3 | U |
| PLASTER/DW | <input type="checkbox"/> | <input type="checkbox"/> | <input type="checkbox"/> | <input type="checkbox"/> | <input type="checkbox"/> |
| PANELING | <input type="checkbox"/> | <input type="checkbox"/> | <input type="checkbox"/> | <input type="checkbox"/> | <input type="checkbox"/> |
| UNFINISHED | <input type="checkbox"/> | <input type="checkbox"/> | <input type="checkbox"/> | <input type="checkbox"/> | <input type="checkbox"/> |
| ACCOMMODATIONS | | | | | |
| # OF ROOMS | | | | | |
| BEDROOMS | | | | | |
| FIREPLACES | | | | | |
| HEAT & AC | B | 1 | 2 | 3 | U |
| NO HEAT | <input type="checkbox"/> | <input type="checkbox"/> | <input type="checkbox"/> | <input type="checkbox"/> | <input type="checkbox"/> |
| CTRL HEAT | <input type="checkbox"/> | <input type="checkbox"/> | <input type="checkbox"/> | <input type="checkbox"/> | <input type="checkbox"/> |
| HW/STEAM | <input type="checkbox"/> | <input type="checkbox"/> | <input type="checkbox"/> | <input type="checkbox"/> | <input type="checkbox"/> |
| ELECTRIC | <input type="checkbox"/> | <input type="checkbox"/> | <input type="checkbox"/> | <input type="checkbox"/> | <input type="checkbox"/> |
| HEAT PUMP | <input type="checkbox"/> | <input type="checkbox"/> | <input type="checkbox"/> | <input type="checkbox"/> | <input type="checkbox"/> |
| FLR/WALL | <input type="checkbox"/> | <input type="checkbox"/> | <input type="checkbox"/> | <input type="checkbox"/> | <input type="checkbox"/> |
| STVE/SPCE | <input type="checkbox"/> | <input type="checkbox"/> | <input type="checkbox"/> | <input type="checkbox"/> | <input type="checkbox"/> |
| GEO THERMAL | <input type="checkbox"/> | <input type="checkbox"/> | <input type="checkbox"/> | <input type="checkbox"/> | <input type="checkbox"/> |
| OUTSIDE | <input type="checkbox"/> | <input type="checkbox"/> | <input type="checkbox"/> | <input type="checkbox"/> | <input type="checkbox"/> |
| CTRL A/C | <input type="checkbox"/> | <input type="checkbox"/> | <input type="checkbox"/> | <input type="checkbox"/> | <input type="checkbox"/> |
| PLUMBING | | BASE | | | <input type="checkbox"/> |
| X FULL BATH | | | | | |
| X HALF BATH | | | | | |
| X FIXTURES | | | | | |
| SUBTOTAL | | | | | 0 |
| MULTI-FAMILY # | | | | | 0 |
| BSMT FINISH | | | | | 0 S.F. |
| FIREPLACE # | | | | | 0 |
| HEATING | | | | | 0 S.F. |
| AIR COND | | | | | 0 S.F. |
| PLUMBING # | | | | | 0 |
| GARAGES & CARPORTS | | | | | 0 |
| EXTRA FEATURES | | | | | 0 |
| SUBTOTAL | | | | | 0 |
| GRADE FACTOR | | | | | % |
| UNADJUSTED VALUE | | | | | 0 |
| FACTOR | | | | | % |



| OCCUPANCY | ST.HT | SIZE | AREA | GRADE | PRICE | AGE | REMD | CND | UNADJ VAL | PHYS | PHYS VAL | FUNC | TRUE VAL |
|-----------|-------|------|------|-------|-------|-----|------|-----|-----------|------|----------|------|----------|
| DWELLING | | SK | | | | | | | | | | | |
| 1 | | | | | | | | | | | | | |
| 2 | | | | | | | | | | | | | |
| 3 | | | | | | | | | | | | | |
| 4 | | | | | | | | | | | | | |
| 5 | | | | | | | | | | | | | |
| 6 | | | | | | | | | | | | | |
| 7 | | | | | | | | | | | | | |
| 8 | | | | | | | | | | | | | |
| 9 | | | | | | | | | | | | | |
| 10 | | | | | | | | | | | | | |
| 11 | | | | | | | | | | | | | |

22-008600.0000

TOTAL 0

COMMENTS