

Property Address: 6073 ST RT 219 ,

DTE Code: 499



09-126400.0000

FRANKLIN TWP
CELINA SD
09-30-301-013

LEGAL INFORMATION

NW SW PT

NEIGH-GROUP: CRUR50-50
Acres:3.4800

M	
B	
C	

RTS: 003-06-30

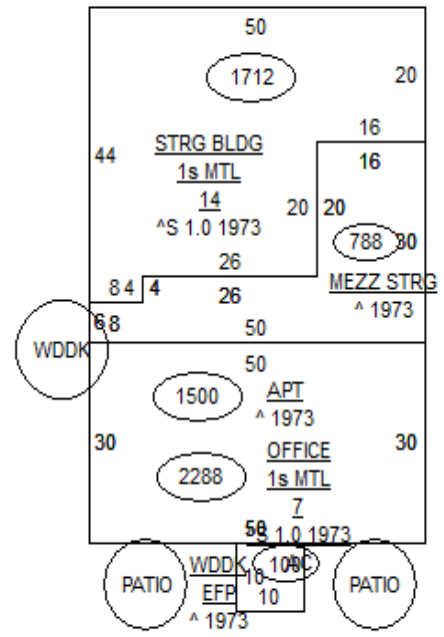
GRAND PROPERTY HOLDINGS LLC
GRAND PROPERTY HOLDINGS LLC
PO BOX 92
MONTEZUMA, OH 45866

COMMENT
TY2018:Net Gen=\$2,586.80, Other Assessment=\$0.00
DE17 DESKTOP RVW CHG: ADJ PRICING

Sales Data							Date
Date	Amount	Deed:Conv#	Use	Valid	Lister:	DL	05/12/17
08/28/2018	100,000		WDC : 657	499	■	Pricer:	
01/02/2002	0		: X : 0	499	□	Reviewer:	
					□	Final:	
					□	Call Back:	
					□	Visit:	

VALUATION SUMMARY					
VALUE YEAR		2017	2017	2014	2012
REASON FOR CHANGE		RAPP	MISC	RAPP	MISC
ESTIMATED	LAND	25,790	23,520	23,520	23,520
MARKET VALUE	IMPR	112,780	114,540	115,770	115,770
	TOTAL	138,570	138,060	139,290	139,290
ASSESSED	LAND	9,030	8,230	8,230	8,230
VALUE	IMPR	39,470	40,090	40,520	40,520
	TOTAL	48,500	48,320	48,750	48,750

LAND TYPE	SIZE	M	RATE	C	INF	M	VALUE	C
IL:ICE Land	A:3.48		13,000				25,790	0
Totals:	Total Acres 3.4800						25,790	0



STREET/ROAD	TOPOGRAPHY	PU-UTILITIES-PR	ZONING
<input type="checkbox"/> PAVED	<input type="checkbox"/> LEVEL	<input type="checkbox"/> WATER	<input type="checkbox"/> AG-RES
<input type="checkbox"/> GRAVEL	<input type="checkbox"/> HIGH	<input type="checkbox"/> SEWER	<input checked="" type="checkbox"/> COMMERCIAL
<input type="checkbox"/> DIRT	<input type="checkbox"/> LOW	<input type="checkbox"/> GAS	<input type="checkbox"/> INDUSTRIAL
<input type="checkbox"/> SIDEWALKS	<input type="checkbox"/> ROLLING	<input type="checkbox"/> ELECTRIC	
<input type="checkbox"/> CURBS	<input type="checkbox"/> STANDARD	<input checked="" type="checkbox"/> STANDARD	

INFLUENCE FACTORS		
A. NO ROAD	E. SZ/SHAPE	I. WATER FRONT
B. TOPGRHY	F. RESTRICT	J. OTHER/CDU
C. Ex Front	G. WOOD LT	
D. QUANTITY	H. VACANCY	

		EX WALL	A	ROOFING	A	WINDOW	A	DOORS	A	FOUNDATION	A	FRAMING	A	
CLASS/QUALITY RANK		STONE	<input type="checkbox"/>	GABLE/HIP	<input type="checkbox"/>	STORE FRT	<input type="checkbox"/>	OVERHEAD	<input type="checkbox"/>	SLAB	<input type="checkbox"/>	PRE ENG	<input type="checkbox"/>	
		BRICK	<input type="checkbox"/>	SHED/FLAT	<input type="checkbox"/>	CASEMENT	<input type="checkbox"/>			CRAWL	<input type="checkbox"/>	STEEL	<input type="checkbox"/>	
A) FP STRUCT. STEEL FRAME	1. BASIC	CON BLK	<input type="checkbox"/>	CON DECK	<input type="checkbox"/>	DBLH	<input type="checkbox"/>			PILE/COL	<input type="checkbox"/>	REINF CONC	<input type="checkbox"/>	
B) R.C. FRAME	2. FAIR	WD/MTL	<input type="checkbox"/>	MTL DECK	<input type="checkbox"/>	SLIDE BY	<input type="checkbox"/>			REINFOR	<input type="checkbox"/>	CB/MASON	<input type="checkbox"/>	
C) MASONRY BEARING WALLS	3. AVE	ENAM STL	<input type="checkbox"/>	WD DECK	<input type="checkbox"/>	CANOPY	A			STEEL	<input type="checkbox"/>	FRAME	<input type="checkbox"/>	
D) WD OR STEEL FR EX. WALLS	4. GOOD	ALUM/VYL	<input type="checkbox"/>	METAL	<input type="checkbox"/>	LIGHTED	<input type="checkbox"/>	STEEL INS	<input type="checkbox"/>	BRICK	<input type="checkbox"/>	POLE	<input type="checkbox"/>	
S) METAL M) MILL P) POLE	5. EXCEL	CON PANEL	<input type="checkbox"/>	ASPH	<input type="checkbox"/>	SOFFITS	<input type="checkbox"/>	WOOD	<input type="checkbox"/>	STONE	<input type="checkbox"/>	TILT UP	<input type="checkbox"/>	
TOTAL AREA	PERIMETER	0	PLATE GLS	<input type="checkbox"/>	RUBBER	<input type="checkbox"/>	C S W	<input type="checkbox"/>	MTL	<input type="checkbox"/>	CON BLK	<input type="checkbox"/>	SANDWICH	<input type="checkbox"/>
# STORIES	STORY HT	7	STUCCO	<input type="checkbox"/>	BUILT UP	<input type="checkbox"/>	FACADE	A	GLASS	<input type="checkbox"/>	FRAME	<input type="checkbox"/>	STANDARD	<input type="checkbox"/>
AGE	SPRINKLER		INSULATED	<input type="checkbox"/>	INSULATED	<input type="checkbox"/>			STANDARD	<input type="checkbox"/>	STANDARD	<input type="checkbox"/>		

H.V.A.C.		FLOORS					PARTITIONS					INTERIOR FINISH										
Electric	<input type="checkbox"/>	Electric Wall	<input type="checkbox"/>	CONCRETE	<input type="checkbox"/>	B	1	2	3	U	MASONRY	<input type="checkbox"/>	<input type="checkbox"/>	<input type="checkbox"/>	<input type="checkbox"/>	<input type="checkbox"/>	UNFINISHED	<input type="checkbox"/>	<input type="checkbox"/>	<input type="checkbox"/>	<input type="checkbox"/>	<input type="checkbox"/>
Forced Air Unit	<input type="checkbox"/>	Hot Water	<input type="checkbox"/>	WOOD	<input type="checkbox"/>	<input type="checkbox"/>	<input type="checkbox"/>	<input type="checkbox"/>	<input type="checkbox"/>	<input type="checkbox"/>	WD STUD	<input type="checkbox"/>	<input type="checkbox"/>	<input type="checkbox"/>	<input type="checkbox"/>	<input type="checkbox"/>	FINISH OPEN	<input type="checkbox"/>	<input type="checkbox"/>	<input type="checkbox"/>	<input type="checkbox"/>	<input type="checkbox"/>
Hot Water, Rad	<input type="checkbox"/>	Space/ Wall Furnace	<input type="checkbox"/>	TILE A Q V T	<input type="checkbox"/>	<input type="checkbox"/>	<input type="checkbox"/>	<input type="checkbox"/>	<input type="checkbox"/>	<input type="checkbox"/>	MTL STUD	<input type="checkbox"/>	<input type="checkbox"/>	<input type="checkbox"/>	<input type="checkbox"/>	<input type="checkbox"/>	FINISH DIV	<input type="checkbox"/>	<input type="checkbox"/>	<input type="checkbox"/>	<input type="checkbox"/>	<input type="checkbox"/>
Steam	<input type="checkbox"/>	Warm & Cld Air	<input type="checkbox"/>	CARPET	<input type="checkbox"/>	<input type="checkbox"/>	<input type="checkbox"/>	<input type="checkbox"/>	<input type="checkbox"/>	<input type="checkbox"/>	CEILINGS	B	1	2	3	U	PANEL	<input type="checkbox"/>	<input type="checkbox"/>	<input type="checkbox"/>	<input type="checkbox"/>	<input type="checkbox"/>
Ventilation	<input type="checkbox"/>	Heat Pump	<input type="checkbox"/>	ASPHALT	<input type="checkbox"/>	<input type="checkbox"/>	<input type="checkbox"/>	<input type="checkbox"/>	<input type="checkbox"/>	<input type="checkbox"/>	ACCUT/PANEL	<input type="checkbox"/>	<input type="checkbox"/>	<input type="checkbox"/>	<input type="checkbox"/>	<input type="checkbox"/>	PLASTER / DW	<input type="checkbox"/>	<input type="checkbox"/>	<input type="checkbox"/>	<input type="checkbox"/>	<input type="checkbox"/>
Package Unit	<input type="checkbox"/>	Ind TW Heat Pump	<input type="checkbox"/>	GRAVEL	<input type="checkbox"/>	<input type="checkbox"/>	<input type="checkbox"/>	<input type="checkbox"/>	<input type="checkbox"/>	<input type="checkbox"/>	PLASTER/DW	<input type="checkbox"/>	<input type="checkbox"/>	<input type="checkbox"/>	<input type="checkbox"/>	<input type="checkbox"/>	BLOCK	<input type="checkbox"/>	<input type="checkbox"/>	<input type="checkbox"/>	<input type="checkbox"/>	<input type="checkbox"/>
Hot & Cld Water	<input type="checkbox"/>	Evaporated Cool	<input type="checkbox"/>	DIRT	<input type="checkbox"/>	<input type="checkbox"/>	<input type="checkbox"/>	<input type="checkbox"/>	<input type="checkbox"/>	<input type="checkbox"/>	SUSP/OPEN	<input type="checkbox"/>	<input type="checkbox"/>	<input type="checkbox"/>	<input type="checkbox"/>	<input type="checkbox"/>	GLAZED TILE	<input type="checkbox"/>	<input type="checkbox"/>	<input type="checkbox"/>	<input type="checkbox"/>	<input type="checkbox"/>
Floor Furnace	<input type="checkbox"/>	Co-Ray-Vac	<input type="checkbox"/>	STANDARD	<input type="checkbox"/>						STANDARD	<input type="checkbox"/>					STANDARD	<input type="checkbox"/>				

Complete HVAC	<input type="checkbox"/>	No Heat	<input type="checkbox"/>	PLUMBING					A	LIGHTING					A				
Refrig. Cooling	<input type="checkbox"/>	Standard	<input type="checkbox"/>	NO PLUMBING					<input type="checkbox"/>	EXTRA FIXTURES					<input type="checkbox"/>	METAL HALIDE	<input type="checkbox"/>		
				2 FIXTURE BATH						STANDARD					<input type="checkbox"/>	SODIUM VAP	<input type="checkbox"/>	STANDARD	<input type="checkbox"/>
				3 FIXTURE BATH											<input type="checkbox"/>	MERCURY VAP	<input type="checkbox"/>		<input type="checkbox"/>

ITEM	CONST	HT	SIZE X SIZE	FL	AREA	UNITS	AGE	REM	CND	GRD	\$/UNIT	UNADJUSTED \$	PHY	FC	EC	MARKET VALUE
A 901.010:Patio: Concrete			10 X 12	1	120		1973		A	N	.00	0	0	0	0	0
B 901.010:Patio: Concrete			10 X 19	1	190		1973		A	N	.00	0	0	0	0	0
C 901.014:Wood Deck			12 X 12	1	144		1973		A	A	11.00	1,580	55	0	0	710

ITEM	CONST	HT	SIZE X SIZE	FL	AREA	UNITS	AGE	REM	CND	GRD	\$/UNIT	UNADJUSTED \$	PHY	FC	EC	MARKET VALUE
A 447.000:OFFICE		7		1	2,288		1973	1988A	A	A	45.00	102,960	35	0	0	66,920
1 401.402:Apt-CBD 350-449.99			30 X 50	1	1,500	1	1973	1988A	A	A	16,000.00	16,000	0	0	0	16,000
2 900.010:MEZZ STRG				1	788		1973	1988A	N	N	.00	0	0	0	0	0
3 499.077:Utility Bldg: Steel Pre Eng		14		1	1,712		1973	1988F	A	A	24.00	41,090	35	0	0	26,710
4 900.068:AC		7		1	2,288		1973	1988A	A	A	1.00	2,290	55	0	0	1,030
5 901.011:EFP			10 X 10	1	100		1973	1988A	A	A	14.00	1,400	35	0	0	910
6 901.014:WDDK			10 X 10	1	100		1973	1988A	A	A	11.00	1,100	55	0	0	500

AMENITY TOTAL															0	
															TOTAL IMPR	112,780

COMMENTS																
APT HAS 3 ROOMS & 2 BATHS--2 BDRMS																

Property Address: 6073 ST RT 219 ,

DTE Code: 499



09-126400.0000

FRANKLIN TWP
CELINA SD
09-30-301-013

LEGAL INFORMATION

NW SW PT

NEIGH-GROUP: CRUR50-50
Acres:3.4800

M	
B	
C	

RTS: 003-06-30

GRAND PROPERTY HOLDINGS LLC

GRAND PROPERTY HOLDINGS LLC

PO BOX 92

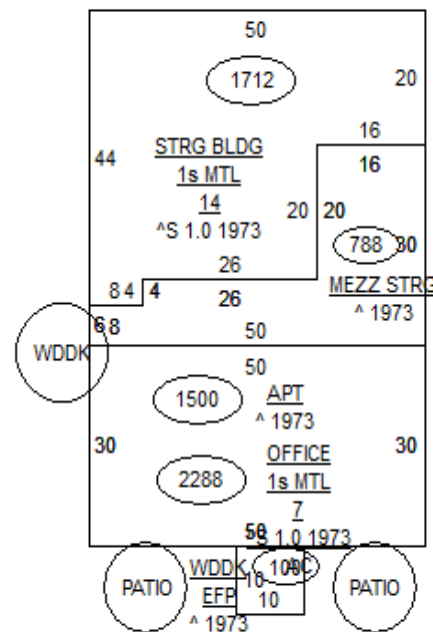
MONTEZUMA, OH 45866

COMMENT

Sales Data							Date
Date	Amount	Deed:Conv#	Use	Valid	Lister:	DL	05/12/17
08/28/2018	100,000		WDC : 657	499	■	Pricer:	
01/02/2002	0		: X : 0	499	□	Reviewer:	
					□	Final:	
					□	Call Back:	
					□	Visit:	

VALUATION SUMMARY			
VALUE YEAR		2011	
REASON FOR CHANGE		RAPP	
ESTIMATED MARKET VALUE	LAND	23,520	
	IMPR	91,470	
	TOTAL	114,990	
ASSESSED VALUE	LAND	8,230	
	IMPR	32,010	
	TOTAL	40,240	

LAND TYPE	SIZE	M	RATE	C	INF	M	VALUE	C
Totals:	Total Acres 3.4800					25,790	0	25,790



STREET/ROAD	TOPOGRAPHY	PU-UTILITIES-PR	ZONING
<input type="checkbox"/> PAVED	<input type="checkbox"/> LEVEL	<input type="checkbox"/> WATER	<input type="checkbox"/> AG-RES
<input type="checkbox"/> GRAVEL	<input type="checkbox"/> HIGH	<input type="checkbox"/> SEWER	<input checked="" type="checkbox"/> COMMERCIAL
<input type="checkbox"/> DIRT	<input type="checkbox"/> LOW	<input type="checkbox"/> GAS	<input type="checkbox"/> INDUSTRIAL
<input type="checkbox"/> SIDEWALKS	<input type="checkbox"/> ROLLING	<input type="checkbox"/> ELECTRIC	
<input type="checkbox"/> CURBS	<input type="checkbox"/> STANDARD	<input checked="" type="checkbox"/> STANDARD	

INFLUENCE FACTORS		
A. NO ROAD	E. SZ/SHAPE	I. WATER FRONT
B. TOPGRHY	F. RESTRICT	J. OTHER/CDU
C. Ex Front	G. WOOD LT	
D. QUANTITY	H. VACANCY	

