

Property Address: 156 MAIN ST,

DTE Code: 430



08-005900.0000

DUBLIN TWP-ROCKFORD CORP
PARKWAY SD
02-16-302-006

LEGAL INFORMATION

31 PT S 1/2

NEIGH-GROUP: CIVIL50-50

M	
B	
C	

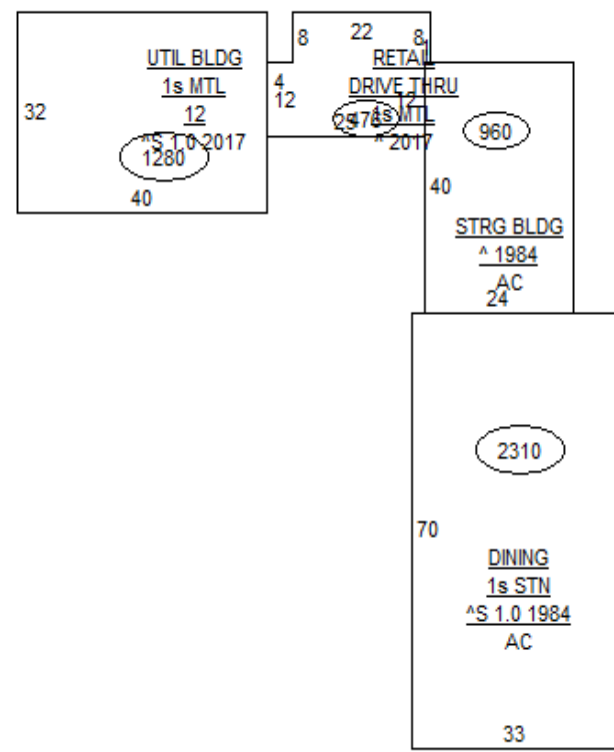
T H BURTCH ENTERPRISES LTD
T H BURTCH ENTERPRISES LTD
PO BOX 333
ROCKFORD, OH 45882

COMMENT
TY2018:Net Gen=\$3,152.72, Other Assessment=\$2.00
DE18 ADD STRG BLDG/COR PRICING
DE16 ADD DRIVE THRU
DE15 ADD CANOPY

Sales Data							Date
Date	Amount	Deed:Conv#	Use	Valid	Lister:	JL	06/25/18
07/29/2016	270,000		5:WDC : 514	430	■	Pricer:	
04/15/2015	100,000		3:WDC : 224	430	■	Reviewer:	
01/04/2007	100,000		WDC : A-M : 9	430	□	Final:	
01/25/2005	0		QCE : X : 0	430	□	Call Back:	
01/12/2001	125,000		: A-M : 0	430	□	Visit:	

VALUATION SUMMARY				
VALUE YEAR	2018	2017	2016	2015
REASON FOR CHANGE	NC	RAPP	MISC	NC
ESTIMATED MARKET VALUE	3,270	3,270	3,270	3,270
	150,380	122,200	124,750	157,830
TOTAL	153,650	125,470	128,020	161,100
ASSESSED VALUE	1,140	1,140	1,140	1,140
	52,630	42,770	43,660	55,240
TOTAL	53,770	43,910	44,800	56,380

LAND TYPE	SIZE	M	RATE	C	INF	M	VALUE	C
F:Front	F33 D148		ST100 DP99 ADJ99				3,270	0
Totals:							3,270	0



STREET/ROAD	TOPOGRAPHY	PU-UTILITIES-PR	ZONING
<input checked="" type="checkbox"/> PAVED <input type="checkbox"/> GRAVEL <input type="checkbox"/> DIRT <input type="checkbox"/> SIDEWALKS <input type="checkbox"/> CURBS	<input checked="" type="checkbox"/> LEVEL <input type="checkbox"/> HIGH <input type="checkbox"/> LOW <input type="checkbox"/> ROLLING <input type="checkbox"/> STANDARD	<input type="checkbox"/> WATER <input type="checkbox"/> SEWER <input type="checkbox"/> GAS <input type="checkbox"/> ELECTRIC <input checked="" type="checkbox"/> STANDARD	<input type="checkbox"/> AG-RES <input checked="" type="checkbox"/> COMMERCIAL <input type="checkbox"/> INDUSTRIAL

INFLUENCE FACTORS		
A. NO ROAD	E. SZ/SHAPE	I. WATER FRONT
B. TOPGRHY	F. RESTRICT	J. OTHER/CDU
C. Ex Front	G. WOOD LT	
D. QUANTITY	H. VACANCY	

		EX WALL	A	ROOFING	A	WINDOW	A	DOORS	A	FOUNDATION	A	FRAMING	A	
		STONE	<input type="checkbox"/>	GABLE/HIP	<input type="checkbox"/>	STORE FRT	<input type="checkbox"/>	OVERHEAD	<input type="checkbox"/>	SLAB	<input type="checkbox"/>	PRE ENG	<input type="checkbox"/>	
CLASS/QUALITY RANK		BRICK	<input type="checkbox"/>	SHED/FLAT	<input type="checkbox"/>	CASEMENT	<input type="checkbox"/>			CRAWL	<input type="checkbox"/>	STEEL	<input type="checkbox"/>	
A) FP STRUCT. STEEL FRAME	1. BASIC	CON BLK	<input type="checkbox"/>	CON DECK	<input type="checkbox"/>	DBLH	<input type="checkbox"/>			PILE/COL	<input type="checkbox"/>	REINF CONC	<input type="checkbox"/>	
B) R.C. FRAME	2. FAIR	WD/MTL	<input type="checkbox"/>	MTL DECK	<input type="checkbox"/>	SLIDE BY	<input type="checkbox"/>			REINFOR	<input type="checkbox"/>	CB/MASON	<input type="checkbox"/>	
C) MASONRY BEARING WALLS	3. AVE	ENAM STL	<input type="checkbox"/>	WD DECK	<input type="checkbox"/>	CANOPY	A			STEEL	<input type="checkbox"/>	FRAME	<input type="checkbox"/>	
D) WD OR STEEL FR EX. WALLS	4. GOOD	ALUM/VYL	<input type="checkbox"/>	METAL	<input type="checkbox"/>	LIGHTED	<input type="checkbox"/>	STEEL INS	<input type="checkbox"/>	BRICK	<input type="checkbox"/>	POLE	<input type="checkbox"/>	
S) METAL M) MILL P) POLE	5. EXCEL	CON PANEL	<input type="checkbox"/>	ASPH	<input type="checkbox"/>	SOFFITS	<input type="checkbox"/>	WOOD	<input type="checkbox"/>	STONE	<input type="checkbox"/>	TILT UP	<input type="checkbox"/>	
TOTAL AREA	PERIMETER	0	PLATE GLS	<input type="checkbox"/>	RUBBER	<input type="checkbox"/>	C S W	<input type="checkbox"/>	MTL	<input type="checkbox"/>	CON BLK	<input type="checkbox"/>	SANDWICH	<input type="checkbox"/>
# STORIES	STORY HT		STUCCO	<input type="checkbox"/>	BUILT UP	<input type="checkbox"/>	FACADE	A	GLASS	<input type="checkbox"/>	FRAME	<input type="checkbox"/>	STANDARD	<input type="checkbox"/>
AGE	SPRINKLER		INSULATED	<input type="checkbox"/>	INSULATED	<input type="checkbox"/>			STANDARD	<input type="checkbox"/>	STANDARD	<input type="checkbox"/>		

H.V.A.C.		FLOORS					PARTITIONS					INTERIOR FINISH										
Electric	<input type="checkbox"/>	Electric Wall	<input type="checkbox"/>	CONCRETE	<input type="checkbox"/>	B	1	2	3	U	MASONRY	<input type="checkbox"/>	<input type="checkbox"/>	<input type="checkbox"/>	<input type="checkbox"/>	<input type="checkbox"/>	UNFINISHED	<input type="checkbox"/>	<input type="checkbox"/>	<input type="checkbox"/>	<input type="checkbox"/>	<input type="checkbox"/>
Forced Air Unit	<input type="checkbox"/>	Hot Water	<input type="checkbox"/>	WOOD	<input type="checkbox"/>	<input type="checkbox"/>	<input type="checkbox"/>	<input type="checkbox"/>	<input type="checkbox"/>	<input type="checkbox"/>	WD STUD	<input type="checkbox"/>	<input type="checkbox"/>	<input type="checkbox"/>	<input type="checkbox"/>	<input type="checkbox"/>	FINISH OPEN	<input type="checkbox"/>	<input type="checkbox"/>	<input type="checkbox"/>	<input type="checkbox"/>	<input type="checkbox"/>
Hot Water, Rad	<input type="checkbox"/>	Space/ Wall Furnace	<input type="checkbox"/>	TILE A Q V T	<input type="checkbox"/>	<input type="checkbox"/>	<input type="checkbox"/>	<input type="checkbox"/>	<input type="checkbox"/>	<input type="checkbox"/>	MTL STUD	<input type="checkbox"/>	<input type="checkbox"/>	<input type="checkbox"/>	<input type="checkbox"/>	<input type="checkbox"/>	FINISH DIV	<input type="checkbox"/>	<input type="checkbox"/>	<input type="checkbox"/>	<input type="checkbox"/>	<input type="checkbox"/>
Steam	<input type="checkbox"/>	Warm & Cld Air	<input type="checkbox"/>	CARPET	<input type="checkbox"/>	<input type="checkbox"/>	<input type="checkbox"/>	<input type="checkbox"/>	<input type="checkbox"/>	<input type="checkbox"/>	CEILINGS					<input type="checkbox"/>	<input type="checkbox"/>	<input type="checkbox"/>	<input type="checkbox"/>	<input type="checkbox"/>	<input type="checkbox"/>	<input type="checkbox"/>
Ventilation	<input type="checkbox"/>	Heat Pump	<input type="checkbox"/>	ASPHALT	<input type="checkbox"/>	<input type="checkbox"/>	<input type="checkbox"/>	<input type="checkbox"/>	<input type="checkbox"/>	<input type="checkbox"/>	ACCUT/PANEL	<input type="checkbox"/>	<input type="checkbox"/>	<input type="checkbox"/>	<input type="checkbox"/>	<input type="checkbox"/>	PLASTER / DW	<input type="checkbox"/>	<input type="checkbox"/>	<input type="checkbox"/>	<input type="checkbox"/>	<input type="checkbox"/>
Package Unit	<input type="checkbox"/>	Ind TW Heat Pump	<input type="checkbox"/>	GRAVEL	<input type="checkbox"/>	<input type="checkbox"/>	<input type="checkbox"/>	<input type="checkbox"/>	<input type="checkbox"/>	<input type="checkbox"/>	PLASTER/DW	<input type="checkbox"/>	<input type="checkbox"/>	<input type="checkbox"/>	<input type="checkbox"/>	<input type="checkbox"/>	BLOCK	<input type="checkbox"/>	<input type="checkbox"/>	<input type="checkbox"/>	<input type="checkbox"/>	<input type="checkbox"/>
Hot & Cld Water	<input type="checkbox"/>	Evaporated Cool	<input type="checkbox"/>	DIRT	<input type="checkbox"/>	<input type="checkbox"/>	<input type="checkbox"/>	<input type="checkbox"/>	<input type="checkbox"/>	<input type="checkbox"/>	SUSP/OPEN	<input type="checkbox"/>	<input type="checkbox"/>	<input type="checkbox"/>	<input type="checkbox"/>	<input type="checkbox"/>	GLAZED TILE	<input type="checkbox"/>	<input type="checkbox"/>	<input type="checkbox"/>	<input type="checkbox"/>	<input type="checkbox"/>
Floor Furnace	<input type="checkbox"/>	Co-Ray-Vac	<input type="checkbox"/>	STANDARD	<input type="checkbox"/>						STANDARD	<input type="checkbox"/>					STANDARD	<input type="checkbox"/>				

Complete HVAC	<input type="checkbox"/>	No Heat	<input type="checkbox"/>	PLUMBING					LIGHTING									
Refrig. Cooling	<input type="checkbox"/>	Standard	<input type="checkbox"/>	NO PLUMBING					EXTRA FIXTURES					<input type="checkbox"/>	FLUORESCENT	<input type="checkbox"/>	METAL HALIDE	<input type="checkbox"/>
				2 FIXTURE BATH					STANDARD					<input type="checkbox"/>	SODIUM VAP	<input type="checkbox"/>	STANDARD	<input type="checkbox"/>
				3 FIXTURE BATH										<input type="checkbox"/>	MERCURY VAP	<input type="checkbox"/>		<input type="checkbox"/>

YARD ITEMS																	
ITEM	CONST	HT	SIZE X SIZE	FL	AREA	UNITS	AGE	REM	CND	GRD	\$/UNIT	UNADJUSTED \$	PHY	FC	EC	MARKET VALUE	

ITEM	CONST	HT	SIZE X SIZE	FL	AREA	UNITS	AGE	REM	CND	GRD	\$/UNIT	UNADJUSTED \$	PHY	FC	EC	MARKET VALUE	
A 430.000:DINING			70 X 33	1	2,310		1984	2001G	A	A	64.00	147,840	26	0	0	109,400	
1 499.071:STRG BLDG			40 X 24	1	960		1984	2001A	A	A	11.00	10,560	26	0	0	7,810	
2 900.068:AC			70 X 33	1	2,310		1984	2001G	A	A	1.00	2,310	41	0	0	1,360	
3 900.068:AC			40 X 24	1	960		1984	2001A	A	A	1.00	960	41	0	0	570	
4 420.999:RETAIL				1	476		2017		A	B	19.00	9,040	10	0	0	8,140	
5 499.078:UTIL BLDG		12	32 X 40	1	1,280		2017		A	A	19.00	24,320	5	0	0	23,100	

AMENITY TOTAL															0		
													TOTAL IMPR		150,380		

COMMENTS																	

Property Address: 156 MAIN ST,

DTE Code: 430



08-005900.0000

DUBLIN TWP-ROCKFORD CORP
PARKWAY SD
02-16-302-006

LEGAL INFORMATION

31 PT S 1/2

NEIGH-GROUP: CIVIL50-50

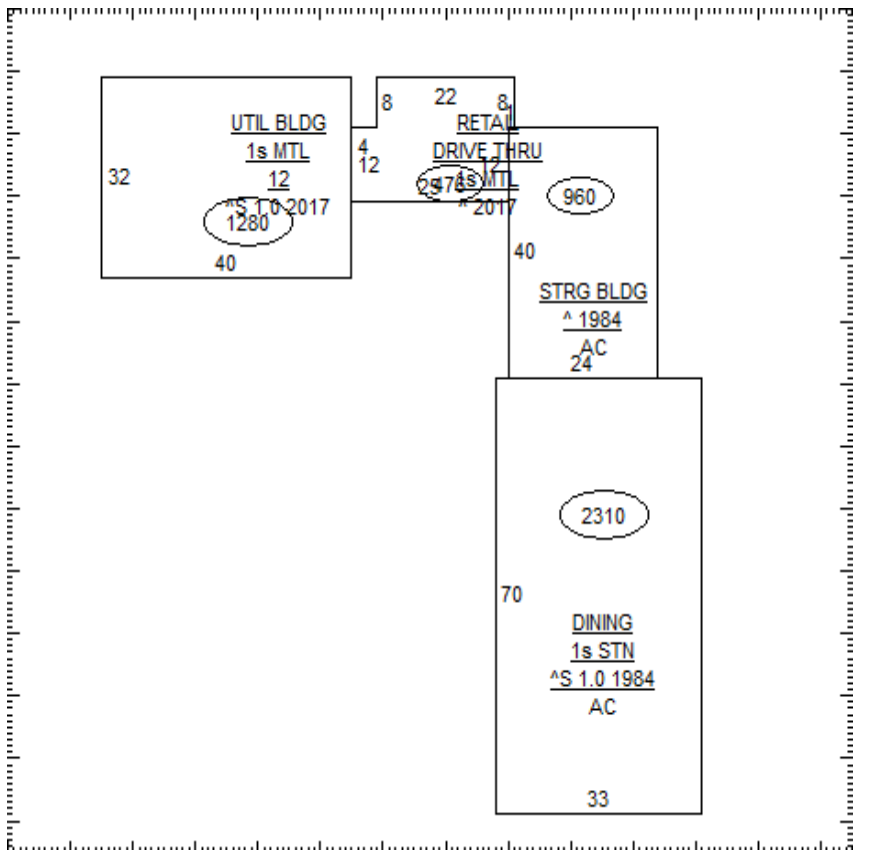
M	
B	
C	

T H BURTCH ENTERPRISES LTD
T H BURTCH ENTERPRISES LTD
PO BOX 333
ROCKFORD, OH 45882

COMMENT

Sales Data							Date
Date	Amount	Deed:Conv#	Use	Valid	Lister:	JL	06/25/18
01/25/2005	0		430	<input type="checkbox"/>	QCE : X : 0		
01/12/2001	125,000		430	<input type="checkbox"/>	: A-M : 0		
				<input type="checkbox"/>	Final:		
				<input type="checkbox"/>	Call Back:		
				<input type="checkbox"/>	Visit:		

VALUATION SUMMARY			
VALUE YEAR		2014	2011
REASON FOR CHANGE		RAPP	RAPP
ESTIMATED MARKET VALUE	LAND IMPR	3,270	3,270
	TOTAL	156,040	156,040
		159,310	159,310
ASSESSED VALUE	LAND IMPR	1,140	1,140
	TOTAL	54,610	54,610
		55,750	55,750



STREET/ROAD	TOPOGRAPHY	PU-UTILITIES-PR	ZONING
<input type="checkbox"/> PAVED	<input type="checkbox"/> LEVEL	<input type="checkbox"/> WATER	<input type="checkbox"/> AG-RES
<input type="checkbox"/> GRAVEL	<input type="checkbox"/> HIGH	<input type="checkbox"/> SEWER	<input checked="" type="checkbox"/> COMMERCIAL
<input type="checkbox"/> DIRT	<input type="checkbox"/> LOW	<input type="checkbox"/> GAS	<input type="checkbox"/> INDUSTRIAL
<input type="checkbox"/> SIDEWALKS	<input type="checkbox"/> ROLLING	<input type="checkbox"/> ELECTRIC	
<input type="checkbox"/> CURBS	<input type="checkbox"/> STANDARD	<input checked="" type="checkbox"/> STANDARD	

INFLUENCE FACTORS		
A. NO ROAD	E. SZ/SHAPE	I. WATER FRONT
B. TOPGRHY	F. RESTRICT	J. OTHER/CDU
C. Ex Front	G. WOOD LT	
D. QUANTITY	H. VACANCY	

LAND TYPE	SIZE	M	RATE	C	INF	M	VALUE	C
Totals:						3,270	0	3,270

