



17-008900.0000

GIBSON TWP-FT RECOVERY CORP
 FT RECOVERY SD
 13-16-252-001

LEGAL INFORMATION

UNPLATTED N E SEC

NEIGH-GROUP: CIVIL50-50
 Acres:0.6160

M	4D
B	
C	79

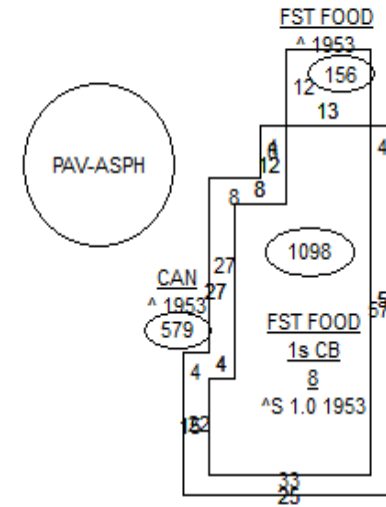
RTS: 001-15-16
JBA ENTERPRISES LLC
 JBA ENTERPRISES LLC
 172 E MAIN ST
 SAINT HENRY, OH 45883

COMMENT
 TY2018:Net Gen=\$871.36, Other Assessment=\$2.00

Sales Data							Date
Date	Amount	Deed:Conv#	Use	Valid	Lister:	CG	12/30/03
10/23/2018	105,000		WDC : 829	435	■	Pricer:	
02/28/2008	92,200		WDC : A : 125	435	■	Reviewer:	
02/28/2008	60,000		WDC : A : 124	435	■	Final:	
02/28/2008	0		QCE : X : 0	435	■	Call Back:	
07/16/1996	88,000		: A : 0	435	■	Visit:	

VALUATION SUMMARY					
VALUE YEAR		2017	2014	2013	2011
REASON FOR CHANGE		RAPP	RAPP	MISC	RAPP
ESTIMATED	LAND	17,370	17,250	17,250	17,240
MARKET VALUE	IMPR	31,060	31,470	31,470	31,470
	TOTAL	48,430	48,720	48,720	48,710
ASSESSED	LAND	6,080	6,040	6,040	6,030
VALUE	IMPR	10,870	11,010	11,010	11,010
	TOTAL	16,950	17,050	17,050	17,040

LAND TYPE	SIZE	M	RATE	C	INF	M	VALUE	C
IL:ICE Land<1@20,000*	.41	A:0.616	20,000				17,370	0
Totals:	Total Acres .6160						17,370	0



STREET/ROAD	TOPOGRAPHY	PU-UTILITIES-PR	ZONING
<input checked="" type="checkbox"/> PAVED	<input checked="" type="checkbox"/> LEVEL	<input type="checkbox"/> WATER	<input type="checkbox"/> AG-RES
<input type="checkbox"/> GRAVEL	<input type="checkbox"/> HIGH	<input type="checkbox"/> SEWER	<input checked="" type="checkbox"/> COMMERCIAL
<input type="checkbox"/> DIRT	<input type="checkbox"/> LOW	<input type="checkbox"/> GAS	<input type="checkbox"/> INDUSTRIAL
<input type="checkbox"/> SIDEWALKS	<input type="checkbox"/> ROLLING	<input type="checkbox"/> ELECTRIC	
<input type="checkbox"/> CURBS	<input type="checkbox"/> STANDARD	<input checked="" type="checkbox"/> STANDARD	

INFLUENCE FACTORS		
A. NO ROAD	E. SZ/SHAPE	I. WATER FRONT
B. TOPGRHY	F. RESTRICT	J. OTHER/CDU
C. Ex Front	G. WOOD LT	
D. QUANTITY	H. VACANCY	

		EX WALL	A	ROOFING	A	WINDOW	A	DOORS	A	FOUNDATION	A	FRAMING	A	
		STONE	<input type="checkbox"/>	GABLE/HIP	<input type="checkbox"/>	STORE FRT	<input type="checkbox"/>	OVERHEAD	<input type="checkbox"/>	SLAB	<input type="checkbox"/>	PRE ENG	<input type="checkbox"/>	
CLASS/QUALITY RANK		BRICK	<input type="checkbox"/>	SHED/FLAT	<input type="checkbox"/>	CASEMENT	<input type="checkbox"/>			CRAWL	<input type="checkbox"/>	STEEL	<input type="checkbox"/>	
A) FP STRUCT. STEEL FRAME	1. BASIC	CON BLK	<input type="checkbox"/>	CON DECK	<input type="checkbox"/>	DBLH	<input type="checkbox"/>			PILE/COL	<input type="checkbox"/>	REINF CONC	<input type="checkbox"/>	
B) R.C. FRAME	2. FAIR	WD/MTL	<input type="checkbox"/>	MTL DECK	<input type="checkbox"/>	SLIDE BY	<input type="checkbox"/>			REINFOR	<input type="checkbox"/>	CB/MASON	<input type="checkbox"/>	
C) MASONRY BEARING WALLS	3. AVE	ENAM STL	<input type="checkbox"/>	WD DECK	<input type="checkbox"/>	CANOPY	A			STEEL	<input type="checkbox"/>	FRAME	<input type="checkbox"/>	
D) WD OR STEEL FR EX. WALLS	4. GOOD	ALUM/VYL	<input type="checkbox"/>	METAL	<input type="checkbox"/>	LIGHTED	<input type="checkbox"/>	STEEL INS	<input type="checkbox"/>	BRICK	<input type="checkbox"/>	POLE	<input type="checkbox"/>	
S) METAL M) MILL P) POLE	5. EXCEL	CON PANEL	<input type="checkbox"/>	ASPH	<input type="checkbox"/>	SOFFITS	<input type="checkbox"/>	WOOD	<input type="checkbox"/>	STONE	<input type="checkbox"/>	TILT UP	<input type="checkbox"/>	
TOTAL AREA	PERIMETER	0	PLATE GLS	<input type="checkbox"/>	RUBBER	<input type="checkbox"/>	C S W	<input type="checkbox"/>	MTL	<input type="checkbox"/>	CON BLK	<input type="checkbox"/>	SANDWICH	<input type="checkbox"/>
# STORIES	STORY HT	8	STUCCO	<input type="checkbox"/>	BUILT UP	<input type="checkbox"/>	FACADE	A	GLASS	<input type="checkbox"/>	FRAME	<input type="checkbox"/>	STANDARD	<input type="checkbox"/>
AGE	SPRINKLER		INSULATED	<input type="checkbox"/>	INSULATED	<input type="checkbox"/>			STANDARD	<input type="checkbox"/>	STANDARD	<input type="checkbox"/>		

H.V.A.C.		FLOORS					PARTITIONS					INTERIOR FINISH										
Electric	<input type="checkbox"/>	Electric Wall	<input type="checkbox"/>	CONCRETE	<input type="checkbox"/>	B	1	2	3	U	MASONRY	<input type="checkbox"/>	<input type="checkbox"/>	<input type="checkbox"/>	<input type="checkbox"/>	<input type="checkbox"/>	UNFINISHED	<input type="checkbox"/>	<input type="checkbox"/>	<input type="checkbox"/>	<input type="checkbox"/>	<input type="checkbox"/>
Forced Air Unit	<input type="checkbox"/>	Hot Water	<input type="checkbox"/>	WOOD	<input type="checkbox"/>	<input type="checkbox"/>	<input type="checkbox"/>	<input type="checkbox"/>	<input type="checkbox"/>	<input type="checkbox"/>	WD STUD	<input type="checkbox"/>	<input type="checkbox"/>	<input type="checkbox"/>	<input type="checkbox"/>	<input type="checkbox"/>	FINISH OPEN	<input type="checkbox"/>	<input type="checkbox"/>	<input type="checkbox"/>	<input type="checkbox"/>	<input type="checkbox"/>
Hot Water, Rad	<input type="checkbox"/>	Space/ Wall Furnace	<input type="checkbox"/>	TILE A Q V T	<input type="checkbox"/>	<input type="checkbox"/>	<input type="checkbox"/>	<input type="checkbox"/>	<input type="checkbox"/>	<input type="checkbox"/>	MTL STUD	<input type="checkbox"/>	<input type="checkbox"/>	<input type="checkbox"/>	<input type="checkbox"/>	<input type="checkbox"/>	FINISH DIV	<input type="checkbox"/>	<input type="checkbox"/>	<input type="checkbox"/>	<input type="checkbox"/>	<input type="checkbox"/>
Steam	<input type="checkbox"/>	Warm & Cld Air	<input type="checkbox"/>	CARPET	<input type="checkbox"/>	<input type="checkbox"/>	<input type="checkbox"/>	<input type="checkbox"/>	<input type="checkbox"/>	<input type="checkbox"/>	CEILINGS	B	1	2	3	U	PANEL	<input type="checkbox"/>	<input type="checkbox"/>	<input type="checkbox"/>	<input type="checkbox"/>	<input type="checkbox"/>
Ventilation	<input type="checkbox"/>	Heat Pump	<input type="checkbox"/>	ASPHALT	<input type="checkbox"/>	<input type="checkbox"/>	<input type="checkbox"/>	<input type="checkbox"/>	<input type="checkbox"/>	<input type="checkbox"/>	ACCUT/PANEL	<input type="checkbox"/>	<input type="checkbox"/>	<input type="checkbox"/>	<input type="checkbox"/>	<input type="checkbox"/>	PLASTER / DW	<input type="checkbox"/>	<input type="checkbox"/>	<input type="checkbox"/>	<input type="checkbox"/>	<input type="checkbox"/>
Package Unit	<input type="checkbox"/>	Ind TW Heat Pump	<input type="checkbox"/>	GRAVEL	<input type="checkbox"/>	<input type="checkbox"/>	<input type="checkbox"/>	<input type="checkbox"/>	<input type="checkbox"/>	<input type="checkbox"/>	PLASTER/DW	<input type="checkbox"/>	<input type="checkbox"/>	<input type="checkbox"/>	<input type="checkbox"/>	<input type="checkbox"/>	BLOCK	<input type="checkbox"/>	<input type="checkbox"/>	<input type="checkbox"/>	<input type="checkbox"/>	<input type="checkbox"/>
Hot & Cld Water	<input type="checkbox"/>	Evaporated Cool	<input type="checkbox"/>	DIRT	<input type="checkbox"/>	<input type="checkbox"/>	<input type="checkbox"/>	<input type="checkbox"/>	<input type="checkbox"/>	<input type="checkbox"/>	SUSP/OPEN	<input type="checkbox"/>	<input type="checkbox"/>	<input type="checkbox"/>	<input type="checkbox"/>	<input type="checkbox"/>	GLAZED TILE	<input type="checkbox"/>	<input type="checkbox"/>	<input type="checkbox"/>	<input type="checkbox"/>	<input type="checkbox"/>
Floor Furnace	<input type="checkbox"/>	Co-Ray-Vac	<input type="checkbox"/>	STANDARD	<input type="checkbox"/>						STANDARD	<input type="checkbox"/>					STANDARD	<input type="checkbox"/>				

Complete HVAC	<input type="checkbox"/>	No Heat	<input type="checkbox"/>	PLUMBING					A	LIGHTING					A
Refrig. Cooling	<input type="checkbox"/>	Standard	<input type="checkbox"/>	NO PLUMBING					<input type="checkbox"/>	EXTRA FIXTURES					<input type="checkbox"/>
				2 FIXTURE BATH						STANDARD					<input type="checkbox"/>
				3 FIXTURE BATH						SODIUM VAP					<input type="checkbox"/>
										MERCURY VAP					<input type="checkbox"/>

ITEM		CONST	HT	SIZE X SIZE	FL	AREA	UNITS	AGE	REM	CND	GRD	\$/UNIT	UNADJUSTED \$	PHY	FC	EC	MARKET VALUE
A	901.001:Paving: Asphalt				1	12,200		1953			N	.00	0	0	0	0	0

ITEM		CONST	HT	SIZE X SIZE	FL	AREA	UNITS	AGE	REM	CND	GRD	\$/UNIT	UNADJUSTED \$	PHY	FC	EC	MARKET VALUE
A	435.000:FST FOOD		8		1	1,098		1953		A	F	55.00	60,390	55	0	0	27,180
1	901.015:CAN				1	579		1953		A	B	6.40	3,710	75	0	0	930
2	435.000:FST FOOD			12 X 13	1	156		1953		A	B	42.00	6,550	55	0	0	2,950

AMENITY TOTAL																0	
																TOTAL IMPR	31,060

COMMENTS