

1 OF 2		
PROP. CLASS		
5	1	0
NEIGHBORHOOD		
095CL50-CL50		
M	05 E	
B		
C	88	

09-033000.2300

**KOMAREK ROBERT B JR**  
 KOMAREK ROBERT B JR  
 6961 HERON DR  
 CELINA, OH 45822

**LEGAL INFORMATION**  
 SOUTH POINTE SUBD  
 FIRST ADD ALSO LOTS 24 & 25  
 LOT#: 23

	OWNERSHIP	ADDRESS	CITY	STATE	ZIP	DATE	AMOUNT	DEED:CONV#	JS	VALID
1	KOMAREK ROBERT B JR	6961 HERON DR	CELINA	OH	45822	06/05/2017	159,900	3:WDC : 364	<input type="checkbox"/>	<input checked="" type="checkbox"/>
2	BR & ER PROPERTIES LLC	3911 YEAGER WAY	OREGON	OH	43616	09/06/2016	0	3:QCE : X : 0	<input type="checkbox"/>	<input type="checkbox"/>
3	ROWLAND EVA F TRUSTEE	PO BOX 758	SYLVANIA	OH	43560	09/26/2013	0	QCE : X : 0	<input type="checkbox"/>	<input type="checkbox"/>

X:  TTO    LISTER: BTC    DATE: 06/30/2010    TIME: 12:00:00 AM     LETTER     LETTER REC'D    GIS CODE

STREET/ROAD	TOPOGRAPHY	PU-UTILITIES-PR	NEIGHBORHOOD	INFLUENCE FACTORS				PROPERTY LOCATION	
PAVED	LEVEL	WATER	IMPROVING	A. NO ROAD	F. RESTRICT	6961 HERON DR,			
GRAVEL	HIGH	SEWER	STATIC	B. TOPGRHY	G. WOOD LT	COMMENT			
DIRT	LOW	GAS	DECLINING	C. Ex Front	H. VACANCY	TY2018:Net Gen=\$2,489.10, Other Assessment=\$0.00			
SIDEWALKS	ROLLING	ELECTRIC	OLD	D. QUANTITY	I. WATER FRONT	DE10 ADD SHED//			
CURBS	STANDARD	STANDARD	STANDARD	E. SZ/SHAPE	J. OTHER/CDU	CHANNEL LOT			
LAND COMPUTATIONS						DE17 DESKTOP REVIEW// CORR WD TO OFF			
LAND TYPE	SIZE	M	RATE	C	INF	M	VALUE	C	DE17 ADDED LOTS TOGETHER PER OWNER
F:Front	F150 D75	ST500	DP71	ADJ355		53,300		0	REQUEST
TOTAL						53,300		0	

**VALUATION SUMMARY**

VALUE YEAR	2017	2017	2017	2014	2011		
REASON FOR CHANGE	MISC	MISC	MISC	RAPP	RAPP		
APPRaised	LAND	53,300	19,500	19,500	19,500		
VALUE	IMPR	104,300	110,200	112,000	108,100		
	TOTAL	157,600	129,700	131,500	127,600		
ASSESSED	LAND	18,660	6,830	6,830	6,830		
VALUE	IMPR	36,510	38,570	39,200	37,840		
	TOTAL	55,170	45,400	46,030	44,670		



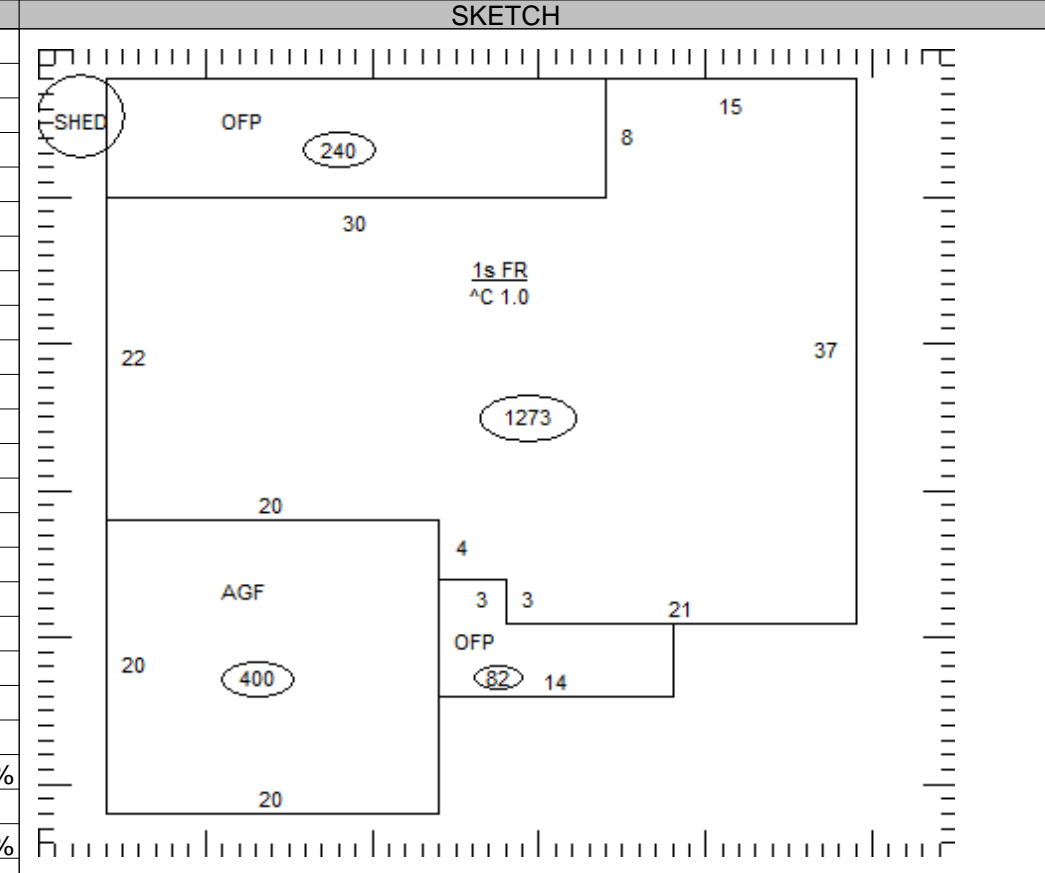


OCCUPANCY	EXTERIOR	FLOOR	AREA	CONST	VALUE
<input type="checkbox"/> SNGL FMLY	<input type="checkbox"/> WOOD				
<input type="checkbox"/> DUPLEX	<input type="checkbox"/> STUCCO				
<input type="checkbox"/> TRIPLEX	<input type="checkbox"/> ALM/VYNL				
<input type="checkbox"/> CONVR	<input type="checkbox"/> CONC BLK				
<input type="checkbox"/> MOBILE HM	<input type="checkbox"/> METAL				
<input type="checkbox"/> BI/L TRI/L	<input type="checkbox"/> BRICK				
<input type="checkbox"/> MOD/MAN	<input type="checkbox"/> STONE				

ROOFING	ROOF TYPE
<input type="checkbox"/> METAL	<input type="checkbox"/> GABLE
<input type="checkbox"/> SLT/TLE	<input type="checkbox"/> HIP
<input type="checkbox"/> SHINGLES	<input type="checkbox"/> GAMBREL
<input type="checkbox"/> SHAKES	<input type="checkbox"/> MANSARD
<input type="checkbox"/> COMPOSITE	<input type="checkbox"/> FLAT

FLOORS	B	1	2	3	U
CONCRETE	<input type="checkbox"/>	<input type="checkbox"/>	<input type="checkbox"/>	<input type="checkbox"/>	<input type="checkbox"/>
WOOD	<input type="checkbox"/>	<input type="checkbox"/>	<input type="checkbox"/>	<input type="checkbox"/>	<input type="checkbox"/>
TILE/COMPO	<input type="checkbox"/>	<input type="checkbox"/>	<input type="checkbox"/>	<input type="checkbox"/>	<input type="checkbox"/>
CARPET	<input type="checkbox"/>	<input type="checkbox"/>	<input type="checkbox"/>	<input type="checkbox"/>	<input type="checkbox"/>
INT. FINISH	B	1	2	3	U
PLASTER/DW	<input type="checkbox"/>	<input type="checkbox"/>	<input type="checkbox"/>	<input type="checkbox"/>	<input type="checkbox"/>
PANELING	<input type="checkbox"/>	<input type="checkbox"/>	<input type="checkbox"/>	<input type="checkbox"/>	<input type="checkbox"/>
UNFINISHED	<input type="checkbox"/>	<input type="checkbox"/>	<input type="checkbox"/>	<input type="checkbox"/>	<input type="checkbox"/>
ACCOMMODATIONS					
# OF ROOMS					
BEDROOMS					
FIREPLACES					
HEAT & AC	B	1	2	3	U
NO HEAT	<input type="checkbox"/>	<input type="checkbox"/>	<input type="checkbox"/>	<input type="checkbox"/>	<input type="checkbox"/>
CTRL HEAT	<input type="checkbox"/>	<input type="checkbox"/>	<input type="checkbox"/>	<input type="checkbox"/>	<input type="checkbox"/>
HW/STEAM	<input type="checkbox"/>	<input type="checkbox"/>	<input type="checkbox"/>	<input type="checkbox"/>	<input type="checkbox"/>
ELECTRIC	<input type="checkbox"/>	<input type="checkbox"/>	<input type="checkbox"/>	<input type="checkbox"/>	<input type="checkbox"/>
HEAT PUMP	<input type="checkbox"/>	<input type="checkbox"/>	<input type="checkbox"/>	<input type="checkbox"/>	<input type="checkbox"/>
FLR/WALL	<input type="checkbox"/>	<input type="checkbox"/>	<input type="checkbox"/>	<input type="checkbox"/>	<input type="checkbox"/>
STVE/SPCE	<input type="checkbox"/>	<input type="checkbox"/>	<input type="checkbox"/>	<input type="checkbox"/>	<input type="checkbox"/>
GEO THERMAL	<input type="checkbox"/>	<input type="checkbox"/>	<input type="checkbox"/>	<input type="checkbox"/>	<input type="checkbox"/>
OUTSIDE	<input type="checkbox"/>	<input type="checkbox"/>	<input type="checkbox"/>	<input type="checkbox"/>	<input type="checkbox"/>
CTRL A/C	<input type="checkbox"/>	<input type="checkbox"/>	<input type="checkbox"/>	<input type="checkbox"/>	<input type="checkbox"/>
PLUMBING		BASE <input type="checkbox"/>			
X FULL BATH					
X HALF BATH					
X FIXTURES					

SUBTOTAL		0
MULTI-FAMILY #	0	0
BSMT FINISH	0 S.F.	0
FIREPLACE #	0	0
HEATING	0 S.F.	0
AIR COND	0 S.F.	0
PLUMBING #	0	0
GARAGES & CARPORTS		0
EXTRA FEATURES		0
SUBTOTAL		0
GRADE FACTOR		%
UNADJUSTED VALUE		0
FACTOR		%



OCCUPANCY	ST.HT	SIZE	AREA	GRADE	PRICE	AGE	REMD	CND	UNADJ VAL	PHYS	PHYS VAL	FUNC	TRUE VAL
DWELLING		SK											
1													
2													
3													
4													
5													
6													
7													
8													
9													
10													
11													

09-033000.2300

TOTAL 0

COMMENTS