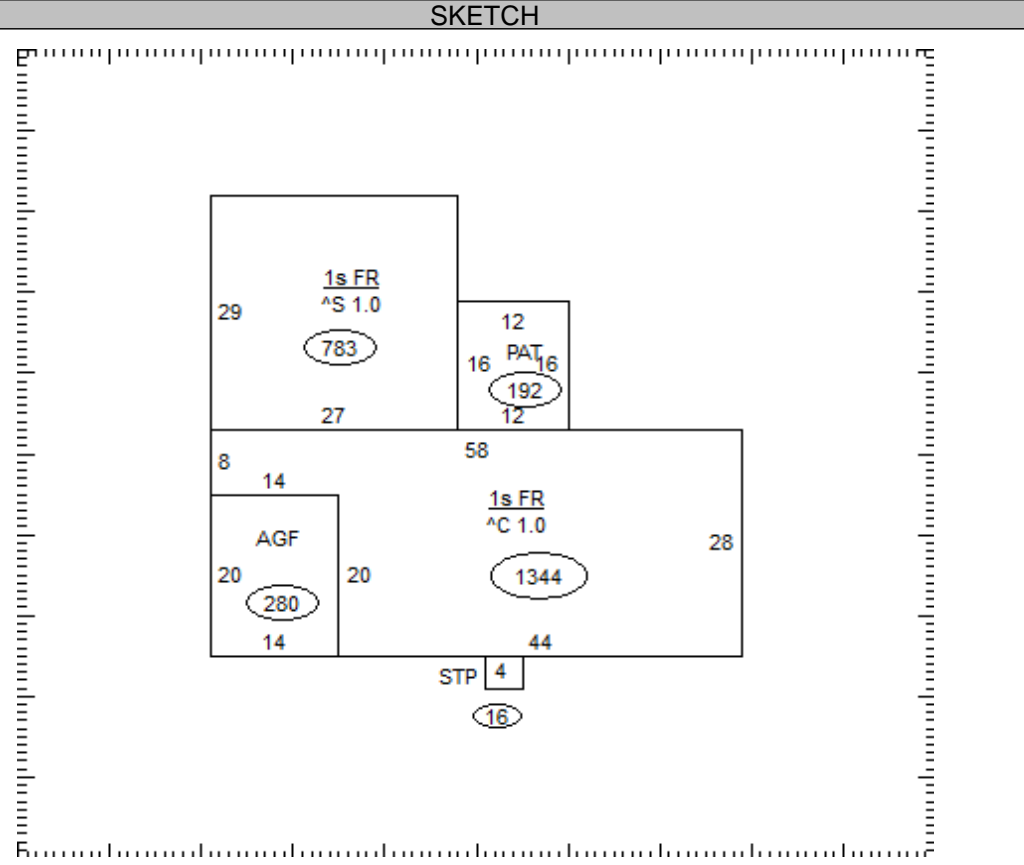


| OCCUPANCY | EXTERIOR | FLOOR | AREA | CONST | VALUE | |
|---|---|-------------------------------------|--------------------------|-------------------------------------|--------------------------|--------------------------|
| <input checked="" type="checkbox"/> SNGL FMLY <input type="checkbox"/> DUPLEX <input type="checkbox"/> TRIPLEX <input type="checkbox"/> CONVR <input type="checkbox"/> MOBILE HM <input type="checkbox"/> BI/L TRI/L <input type="checkbox"/> MOD/MAN | <input type="checkbox"/> WOOD <input type="checkbox"/> STUCCO <input checked="" type="checkbox"/> ALM/VYNL <input type="checkbox"/> CONC BLK <input type="checkbox"/> METAL <input type="checkbox"/> BRICK <input type="checkbox"/> STONE | 1 | 2127 | FR | 145,150 | |
| ROOFING | | ROOF TYPE | | | | |
| <input type="checkbox"/> METAL <input type="checkbox"/> SLT/TLE <input checked="" type="checkbox"/> SHINGLES <input type="checkbox"/> SHAKES <input type="checkbox"/> COMPOSITE | <input checked="" type="checkbox"/> GABLE <input type="checkbox"/> HIP <input type="checkbox"/> GAMBREL <input type="checkbox"/> MANSARD <input type="checkbox"/> FLAT | | | | | |
| FLOORS | | B | 1 | 2 | 3 | U |
| CONCRETE | <input type="checkbox"/> | <input type="checkbox"/> | <input type="checkbox"/> | <input type="checkbox"/> | <input type="checkbox"/> | <input type="checkbox"/> |
| WOOD | <input type="checkbox"/> | <input type="checkbox"/> | <input type="checkbox"/> | <input type="checkbox"/> | <input type="checkbox"/> | <input type="checkbox"/> |
| TILE/COMPO | <input type="checkbox"/> | <input checked="" type="checkbox"/> | <input type="checkbox"/> | <input type="checkbox"/> | <input type="checkbox"/> | <input type="checkbox"/> |
| CARPET | <input type="checkbox"/> | <input checked="" type="checkbox"/> | <input type="checkbox"/> | <input type="checkbox"/> | <input type="checkbox"/> | <input type="checkbox"/> |
| INT. FINISH | | B | 1 | 2 | 3 | U |
| PLASTER/DW | <input type="checkbox"/> | <input checked="" type="checkbox"/> | <input type="checkbox"/> | <input type="checkbox"/> | <input type="checkbox"/> | <input type="checkbox"/> |
| PANELING | <input type="checkbox"/> | <input type="checkbox"/> | <input type="checkbox"/> | <input type="checkbox"/> | <input type="checkbox"/> | <input type="checkbox"/> |
| UNFINISHED | <input type="checkbox"/> | <input type="checkbox"/> | <input type="checkbox"/> | <input type="checkbox"/> | <input type="checkbox"/> | <input type="checkbox"/> |
| ACCOMMODATIONS | | | | | | |
| # OF ROOMS | | 7 | | | | |
| BEDROOMS | | 3 | | | | |
| FIREPLACES | | 1 | | | | |
| HEAT & AC | | B | 1 | 2 | 3 | U |
| NO HEAT | <input type="checkbox"/> | <input type="checkbox"/> | <input type="checkbox"/> | <input type="checkbox"/> | <input type="checkbox"/> | <input type="checkbox"/> |
| CTRL HEAT | <input type="checkbox"/> | <input checked="" type="checkbox"/> | <input type="checkbox"/> | <input type="checkbox"/> | <input type="checkbox"/> | <input type="checkbox"/> |
| HW/STEAM | <input type="checkbox"/> | <input type="checkbox"/> | <input type="checkbox"/> | <input type="checkbox"/> | <input type="checkbox"/> | <input type="checkbox"/> |
| ELECTRIC | <input type="checkbox"/> | <input type="checkbox"/> | <input type="checkbox"/> | <input type="checkbox"/> | <input type="checkbox"/> | <input type="checkbox"/> |
| HEAT PUMP | <input type="checkbox"/> | <input type="checkbox"/> | <input type="checkbox"/> | <input type="checkbox"/> | <input type="checkbox"/> | <input type="checkbox"/> |
| FLR/WALL | <input type="checkbox"/> | <input type="checkbox"/> | <input type="checkbox"/> | <input type="checkbox"/> | <input type="checkbox"/> | <input type="checkbox"/> |
| STVE/SPCE | <input type="checkbox"/> | <input type="checkbox"/> | <input type="checkbox"/> | <input type="checkbox"/> | <input type="checkbox"/> | <input type="checkbox"/> |
| GEO THERMAL | <input type="checkbox"/> | <input type="checkbox"/> | <input type="checkbox"/> | <input type="checkbox"/> | <input type="checkbox"/> | <input type="checkbox"/> |
| OUTSIDE | <input type="checkbox"/> | <input type="checkbox"/> | <input type="checkbox"/> | <input type="checkbox"/> | <input type="checkbox"/> | <input type="checkbox"/> |
| CTRL A/C | <input type="checkbox"/> | <input checked="" type="checkbox"/> | <input type="checkbox"/> | <input type="checkbox"/> | <input type="checkbox"/> | <input type="checkbox"/> |
| PLUMBING | | BASE | | <input checked="" type="checkbox"/> | | |
| X FULL BATH | | | | | | |
| X HALF BATH | | 1 | | | | |
| X FIXTURES | | | | | | |
| SUBTOTAL | | | | | 145,150 | |
| MULTI-FAMILY # | | 0 | | | 0 | |
| BSMT FINISH | | 0 S.F. | | | 0 | |
| FIREPLACE # | | 1 | | | 4,000 | |
| HEATING | | 0 S.F. | | | 0 | |
| AIR COND | | 2,127 S.F. | | | 3,190 | |
| PLUMBING # | | 2 | | | 2,200 | |
| GARAGES & CARPORTS | | | | | 4,600 | |
| EXTRA FEATURES | | | | | 600 | |
| SUBTOTAL | | | | | 159,740 | |
| GRADE FACTOR | | | | | 95 % | |
| UNADJUSTED VALUE | | | | | 151,750 | |
| FACTOR | | | | | 100 % | |



| OCCUPANCY | ST.HT | SIZE | AREA | GRADE | PRICE | AGE | REMD | CND | UNADJ VAL | PHYS | PHYS VAL | FUNC | TRUE VAL |
|-----------|-------|------|-------|-------|-------|------|------|-----|-----------|------|----------|------|----------|
| DWELLING | 1 | SK | 2,127 | C- | | 1958 | | A | 151,750 | 40 | 91,050 | | 106,500 |
| 1 | | | | | | | | | | | | | |
| 2 | | | | | | | | | | | | | |
| 3 | | | | | | | | | | | | | |
| 4 | | | | | | | | | | | | | |
| 5 | | | | | | | | | | | | | |
| 6 | | | | | | | | | | | | | |
| 7 | | | | | | | | | | | | | |
| 8 | | | | | | | | | | | | | |
| 9 | | | | | | | | | | | | | |
| 10 | | | | | | | | | | | | | |
| 11 | | | | | | | | | | | | | |

05-110600.0000

TOTAL 106,500

COMMENTS

Dwelling has an Economic Factor of 117%

BUTLER TWP-COLDWATER CORP / COLDWATER SD
08-28-452-027

| PROP. CLASS | | |
|--------------|------|---|
| 5 | 1 | 0 |
| NEIGHBORHOOD | | |
| 000506-TS50 | | |
| M | 14B9 | |
| B | | |
| C | 80 | |

05-110600.0000

FELTZ JUSTIN D & HOYING ALEXIS C

FELTZ JUSTIN D & HOYING ALEXIS C
608 W NORTH ST
COLDWATER, OH 45828

LEGAL INFORMATION
SELHORST FOURTH ADDITION

LOT#: 718

| | OWNERSHIP | ADDRESS | CITY | STATE | ZIP | DATE | AMOUNT | DEED:CONV# | JS | VALID |
|---|------------------------|----------------|-----------|-------|-------|------------|--------|-------------|--------------------------|--------------------------|
| 1 | DREES STEVEN J & DREES | 608 W NORTH ST | COLDWATER | OH | 45828 | 01/10/2014 | 0 | QCE : X : 0 | <input type="checkbox"/> | <input type="checkbox"/> |
| 2 | DREES GLEN R | 608 W NORTH ST | COLDWATER | OH | 45828 | 07/03/2001 | 0 | : X : 0 | <input type="checkbox"/> | <input type="checkbox"/> |
| 3 | | | | | | | 0 | 0 | <input type="checkbox"/> | <input type="checkbox"/> |

X: TTO LISTER: NS DATE: 01/25/2005 TIME: 12:00:00 AM LETTER LETTER REC'D GIS CODE

| STREET/ROAD | TOPOGRAPHY | PU-UTILITIES-PR | NEIGHBORHOOD | INFLUENCE FACTORS | PROPERTY LOCATION | |
|--|---|---|---|--|--|--------------------------------------|
| <input checked="" type="checkbox"/> PAVED <input type="checkbox"/> GRAVEL <input type="checkbox"/> DIRT <input checked="" type="checkbox"/> SIDEWALKS <input type="checkbox"/> CURBS | <input checked="" type="checkbox"/> LEVEL <input type="checkbox"/> HIGH <input type="checkbox"/> LOW <input type="checkbox"/> ROLLING <input type="checkbox"/> STANDARD | <input type="checkbox"/> WATER <input type="checkbox"/> SEWER <input type="checkbox"/> GAS <input type="checkbox"/> ELECTRIC <input checked="" type="checkbox"/> STANDARD | <input type="checkbox"/> IMPROVING <input checked="" type="checkbox"/> STATIC <input type="checkbox"/> DECLINING <input type="checkbox"/> OLD <input type="checkbox"/> STANDARD | <input type="checkbox"/> A. NO ROAD <input type="checkbox"/> B. TOPGRHY <input type="checkbox"/> C. Ex Front <input type="checkbox"/> D. QUANTITY <input type="checkbox"/> E. SZ/SHAPE | <input type="checkbox"/> F. RESTRICT <input type="checkbox"/> G. WOOD LT <input type="checkbox"/> H. VACANCY <input type="checkbox"/> I. WATER FRONT <input type="checkbox"/> J. OTHER/CDU | 608 W NORTH ST, COLDWATER COMMENT |

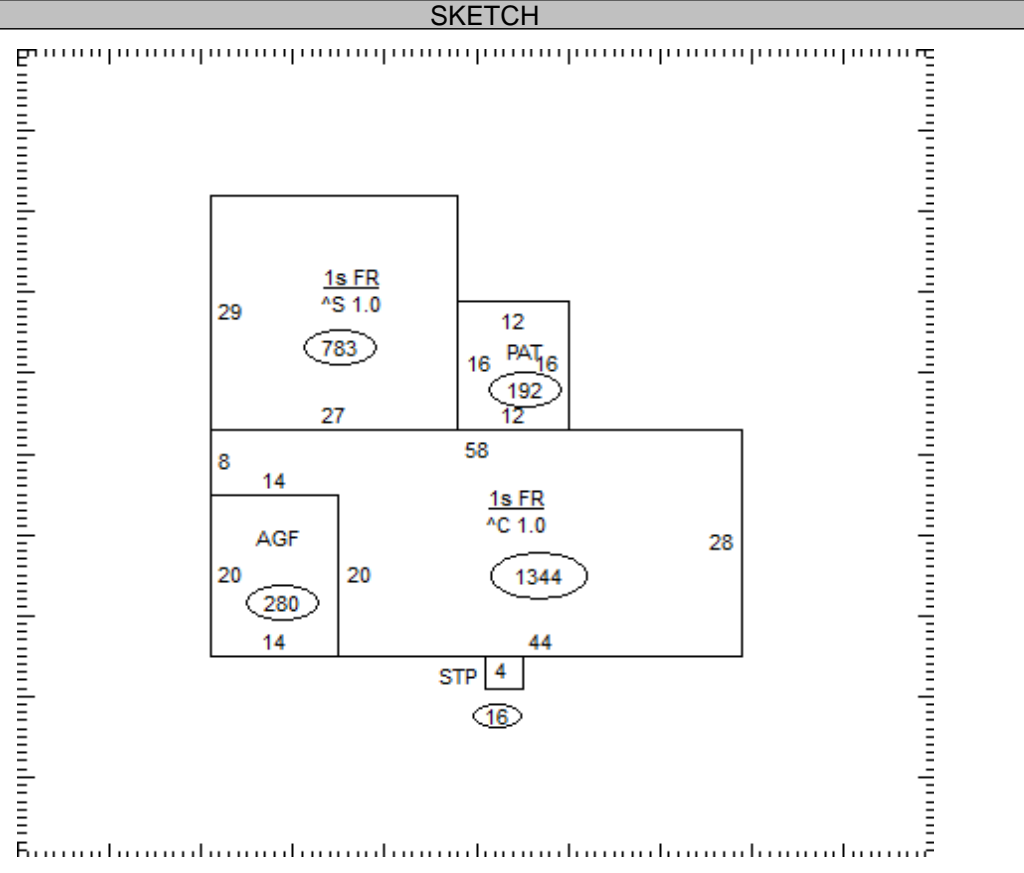
| LAND COMPUTATIONS | | | | | | | |
|-------------------|------|---|------|---|-----|--------|---------|
| LAND TYPE | SIZE | M | RATE | C | INF | M | VALUE C |
| | | | | | | | |
| | | | | | | | |
| | | | | | | | |
| | | | | | | | |
| | | | | | | | |
| | | | | | | | |
| | | | | | | | |
| | | | | | | | |
| | | | | | | | |
| | | | | | | | |
| TOTAL | | | | | | 16,700 | 0 |

| VALUATION SUMMARY | | | | | | | |
|-------------------|-------------------|-----------------|-----------------|----------------|-----------------|--|--|
| VALUE YEAR | REASON FOR CHANGE | APPRAISED VALUE | LAND IMPR TOTAL | ASSESSED VALUE | LAND IMPR TOTAL | | |
| | | | | | | | |
| | | | | | | | |
| | | | | | | | |
| | | | | | | | |
| | | | | | | | |
| | | | | | | | |
| | | | | | | | |

| OCCUPANCY | EXTERIOR | FLOOR | AREA | CONST | VALUE |
|-------------------------------------|-----------------------------------|-------|------|-------|-------|
| <input type="checkbox"/> SNGL FMLY | <input type="checkbox"/> WOOD | | | | |
| <input type="checkbox"/> DUPLEX | <input type="checkbox"/> STUCCO | | | | |
| <input type="checkbox"/> TRIPLEX | <input type="checkbox"/> ALM/VYNL | | | | |
| <input type="checkbox"/> CONVR | <input type="checkbox"/> CONC BLK | | | | |
| <input type="checkbox"/> MOBILE HM | <input type="checkbox"/> METAL | | | | |
| <input type="checkbox"/> BI/L TRI/L | <input type="checkbox"/> BRICK | | | | |
| <input type="checkbox"/> MOD/MAN | <input type="checkbox"/> STONE | | | | |

| ROOFING | ROOF TYPE |
|------------------------------------|----------------------------------|
| <input type="checkbox"/> METAL | <input type="checkbox"/> GABLE |
| <input type="checkbox"/> SLT/TLE | <input type="checkbox"/> HIP |
| <input type="checkbox"/> SHINGLES | <input type="checkbox"/> GAMBREL |
| <input type="checkbox"/> SHAKES | <input type="checkbox"/> MANSARD |
| <input type="checkbox"/> COMPOSITE | <input type="checkbox"/> FLAT |

| | | | | | |
|-------------------------|-------------------------------|--------------------------|--------------------------|--------------------------|--------------------------|
| SUBTOTAL | | | | | 0 |
| FLOORS | B | 1 | 2 | 3 | U |
| CONCRETE | <input type="checkbox"/> | <input type="checkbox"/> | <input type="checkbox"/> | <input type="checkbox"/> | <input type="checkbox"/> |
| WOOD | <input type="checkbox"/> | <input type="checkbox"/> | <input type="checkbox"/> | <input type="checkbox"/> | <input type="checkbox"/> |
| TILE/COMPO | <input type="checkbox"/> | <input type="checkbox"/> | <input type="checkbox"/> | <input type="checkbox"/> | <input type="checkbox"/> |
| CARPET | <input type="checkbox"/> | <input type="checkbox"/> | <input type="checkbox"/> | <input type="checkbox"/> | <input type="checkbox"/> |
| INT. FINISH | B | 1 | 2 | 3 | U |
| PLASTER/DW | <input type="checkbox"/> | <input type="checkbox"/> | <input type="checkbox"/> | <input type="checkbox"/> | <input type="checkbox"/> |
| PANELING | <input type="checkbox"/> | <input type="checkbox"/> | <input type="checkbox"/> | <input type="checkbox"/> | <input type="checkbox"/> |
| UNFINISHED | <input type="checkbox"/> | <input type="checkbox"/> | <input type="checkbox"/> | <input type="checkbox"/> | <input type="checkbox"/> |
| ACCOMMODATIONS | | | | | |
| # OF ROOMS | | | | | |
| BEDROOMS | | | | | |
| FIREPLACES | | | | | |
| HEAT & AC | B | 1 | 2 | 3 | U |
| NO HEAT | <input type="checkbox"/> | <input type="checkbox"/> | <input type="checkbox"/> | <input type="checkbox"/> | <input type="checkbox"/> |
| CTRL HEAT | <input type="checkbox"/> | <input type="checkbox"/> | <input type="checkbox"/> | <input type="checkbox"/> | <input type="checkbox"/> |
| HW/STEAM | <input type="checkbox"/> | <input type="checkbox"/> | <input type="checkbox"/> | <input type="checkbox"/> | <input type="checkbox"/> |
| ELECTRIC | <input type="checkbox"/> | <input type="checkbox"/> | <input type="checkbox"/> | <input type="checkbox"/> | <input type="checkbox"/> |
| HEAT PUMP | <input type="checkbox"/> | <input type="checkbox"/> | <input type="checkbox"/> | <input type="checkbox"/> | <input type="checkbox"/> |
| FLR/WALL | <input type="checkbox"/> | <input type="checkbox"/> | <input type="checkbox"/> | <input type="checkbox"/> | <input type="checkbox"/> |
| STVE/SPCE | <input type="checkbox"/> | <input type="checkbox"/> | <input type="checkbox"/> | <input type="checkbox"/> | <input type="checkbox"/> |
| GEO THERMAL | <input type="checkbox"/> | <input type="checkbox"/> | <input type="checkbox"/> | <input type="checkbox"/> | <input type="checkbox"/> |
| OUTSIDE | <input type="checkbox"/> | <input type="checkbox"/> | <input type="checkbox"/> | <input type="checkbox"/> | <input type="checkbox"/> |
| CTRL A/C | <input type="checkbox"/> | <input type="checkbox"/> | <input type="checkbox"/> | <input type="checkbox"/> | <input type="checkbox"/> |
| PLUMBING | BASE <input type="checkbox"/> | | | | |
| X FULL BATH | | | | | |
| X HALF BATH | | | | | |
| X FIXTURES | | | | | |
| SUBTOTAL | | | | | 0 |
| MULTI-FAMILY # | | | | | 0 |
| BSMT FINISH | | | | | 0 S.F. |
| FIREPLACE # | | | | | 0 |
| HEATING | | | | | 0 S.F. |
| AIR COND | | | | | 0 S.F. |
| PLUMBING # | | | | | 0 |
| GARAGES & CARPORTS | | | | | 0 |
| EXTRA FEATURES | | | | | 0 |
| SUBTOTAL | | | | | 0 |
| GRADE FACTOR | | | | | % |
| UNADJUSTED VALUE | | | | | 0 |
| FACTOR | | | | | % |



| OCCUPANCY | ST.HT | SIZE | AREA | GRADE | PRICE | AGE | REMD | CND | UNADJ VAL | PHYS | PHYS VAL | FUNC | TRUE VAL |
|-----------|-------|------|------|-------|-------|-----|------|-----|-----------|------|----------|------|----------|
| DWELLING | | SK | | | | | | | | | | | |
| 1 | | | | | | | | | | | | | |
| 2 | | | | | | | | | | | | | |
| 3 | | | | | | | | | | | | | |
| 4 | | | | | | | | | | | | | |
| 5 | | | | | | | | | | | | | |
| 6 | | | | | | | | | | | | | |
| 7 | | | | | | | | | | | | | |
| 8 | | | | | | | | | | | | | |
| 9 | | | | | | | | | | | | | |
| 10 | | | | | | | | | | | | | |
| 11 | | | | | | | | | | | | | |

05-110600.0000

TOTAL 0

COMMENTS